

Heckler

Neat Pad At the Ready



**Console Insert
for Neat Pad
H918**

Heckler

Easily and professionally deploy a Neat Pad to control your video meeting system and room controls with this Console Insert for Heckler Lectern.

Features

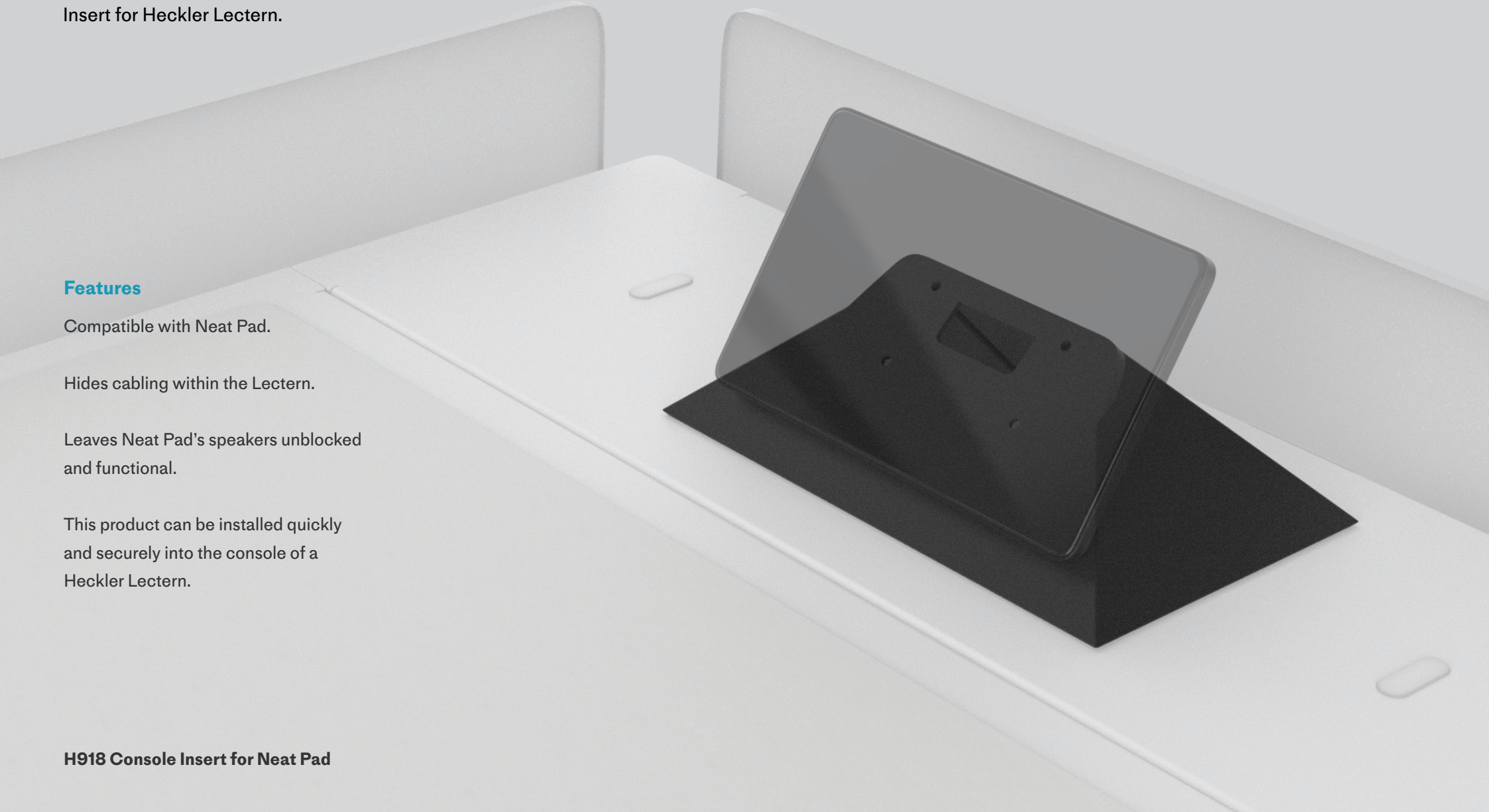
Compatible with Neat Pad.

Hides cabling within the Lectern.

Leaves Neat Pad's speakers unblocked and functional.

This product can be installed quickly and securely into the console of a Heckler Lectern.

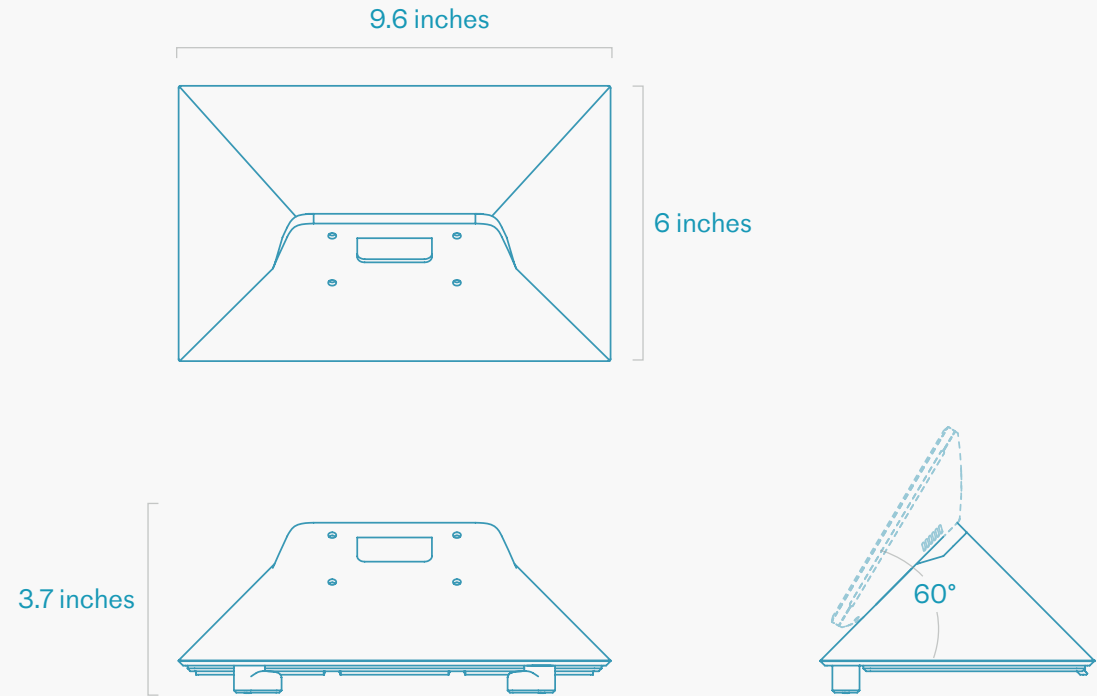
H918 Console Insert for Neat Pad



Heckler

Specifications

SKU	H918
Product Dimension	9.6 x 6 x 3.7 inches (244 x 152 x 102 mm)
Product Weight	1.5 lbs (0.7 kg)
Shipping Dimension	12 x 6 x 6 inches (305 x 152 x 152 mm)
Shipping Weight	2 lbs (0.9 kg)
Warranty	2 years
Country of Origin	US
Material	PLA
In the Box	Console Insert for Neat Pad



For more information, contact
Heckler or your favorite Heckler
Authorized Dealer.

hecklerdesign.com
sales@hecklerdesign.com
(844) 432-5930