

Heckler

Integrated Crestron Control



Console Insert

for Crestron TSW 770 & TSW 1070

H912

Heckler

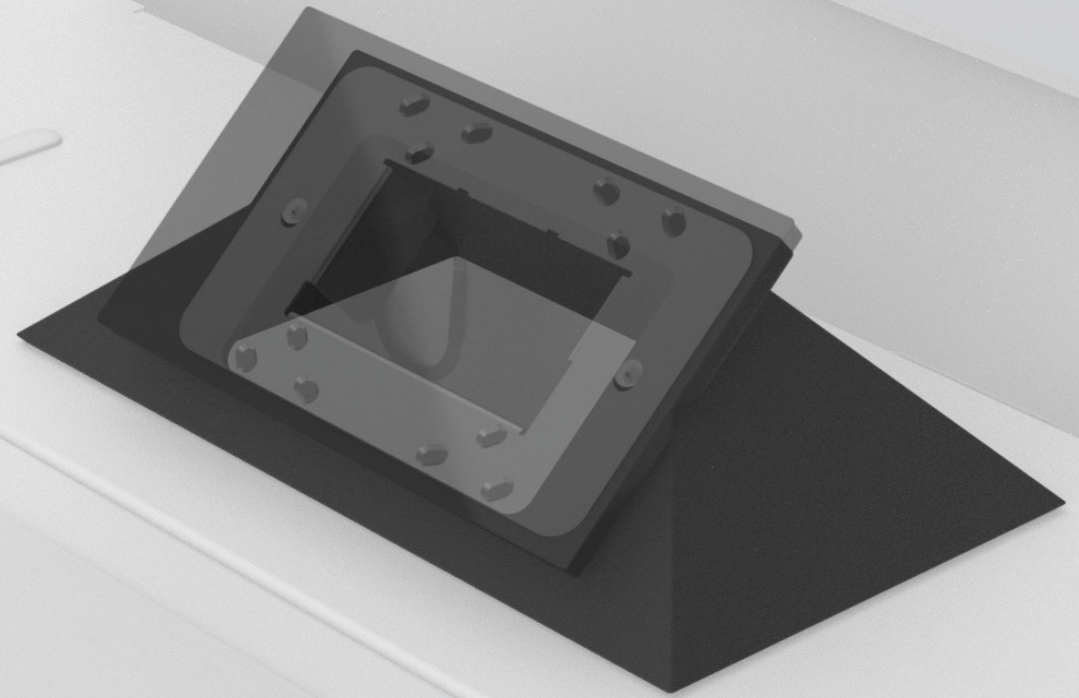
Add the power and versatility of Crestron Touch Screens directly into Heckler Lectern with this sleek Console Insert.

Features

Compatible with Crestron TSW 770 and TSW 1070 Touch Screens.

Positions your Crestron Touch Screens into Heckler Lectern with ADA-Compliance.

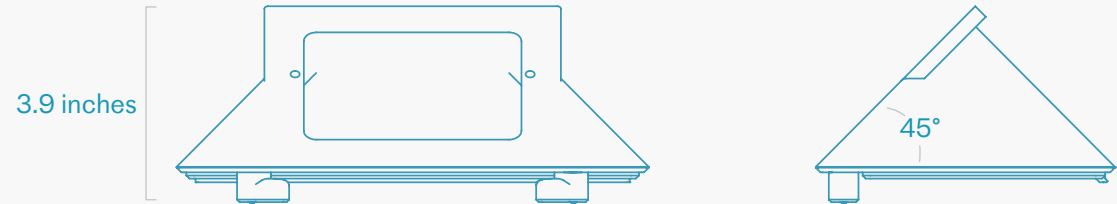
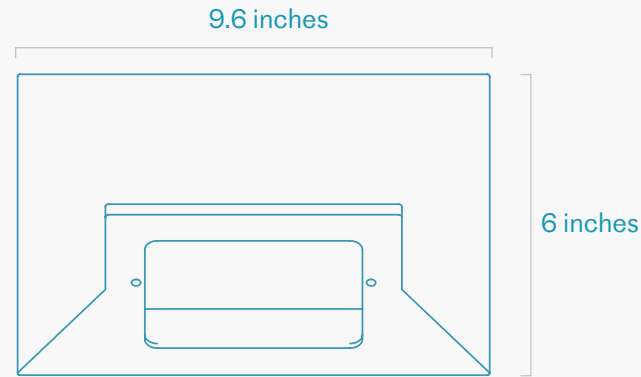
This product can be installed quickly and securely into the console of a Heckler Lectern, with no tools required.



Heckler

Specifications

SKU	H912
Product Dimension	9.6 x 6 x 3.9 inches (244 x 152 x 99 mm)
Product Weight	1.5 lbs (0.7 kg)
Shipping Dimension	12 x 6 x 6 inches (305 x 152 x 152 mm)
Shipping Weight	2 lbs (0.9 kg)
Warranty	2 years
Country of Origin	US
Material	PLA
In the Box	Console Insert for TSW 770 or TSW 1070 Assembly Hardware



For more information, contact
Heckler or your favorite Heckler
Authorized Dealer.

hecklerdesign.com
sales@hecklerdesign.com
(844) 432-5930