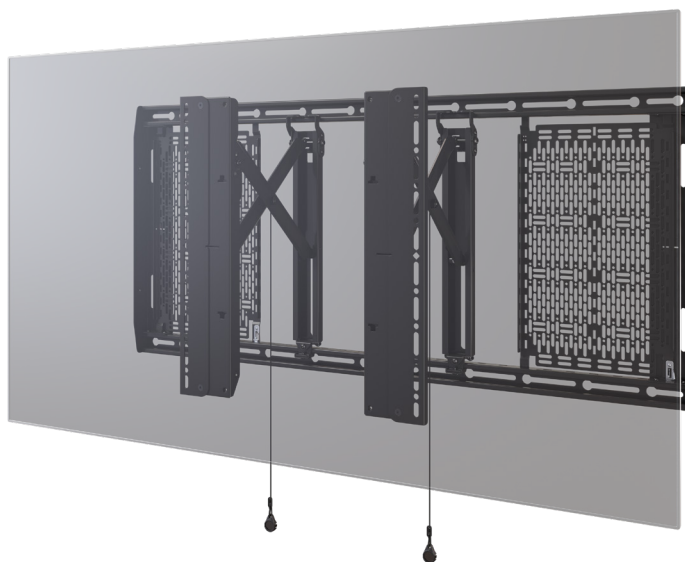


TEMPO™ FLAT PANEL WALL MOUNT SYSTEM

This all-in-one configurable wall mounting system is designed to improve efficiency by streamlining installation workflow. AV professionals can increase productivity and add money to the bottom line with this new system, especially for mass rollouts.

Install on any wall and neatly store AV devices with simple, unparalleled service access. Install up to six small devices behind the display on integrated Lever Lock™ storage panels. Tempo Wall Mount System is thoughtfully designed with feedback from installers for faster deployments.



Accelerate AV Installations

- One part number, one box, one order!
- Ship to site pre-loaded with small devices and cabling.

Save Money

- Reduce onsite installation personnel and time.
- Minimize last-minute shipping costs of missing parts.

Feature Flexibility

- Wall plate and sliding interface design facilitates centering display in the right position.
- 10° of adjustable display tilt in 2.5° increments.

Streamlined for Success

- Total installation depth facilitates ADA compliance*
- Up to 1" (25 mm) post-install leveling adjustment.

*When display depth is less than 2" (51 mm)

Integrated Storage

- Ships with two 15"x10" Lever Lock™ plates with space to add more.
- Storage plates can be moved along the mounting rail for best placement of components.

Simplify Service

- Approximately 13" (330 mm) of service access.
- Open wall plate for easy positioning of power and data sources and in-wall storage.

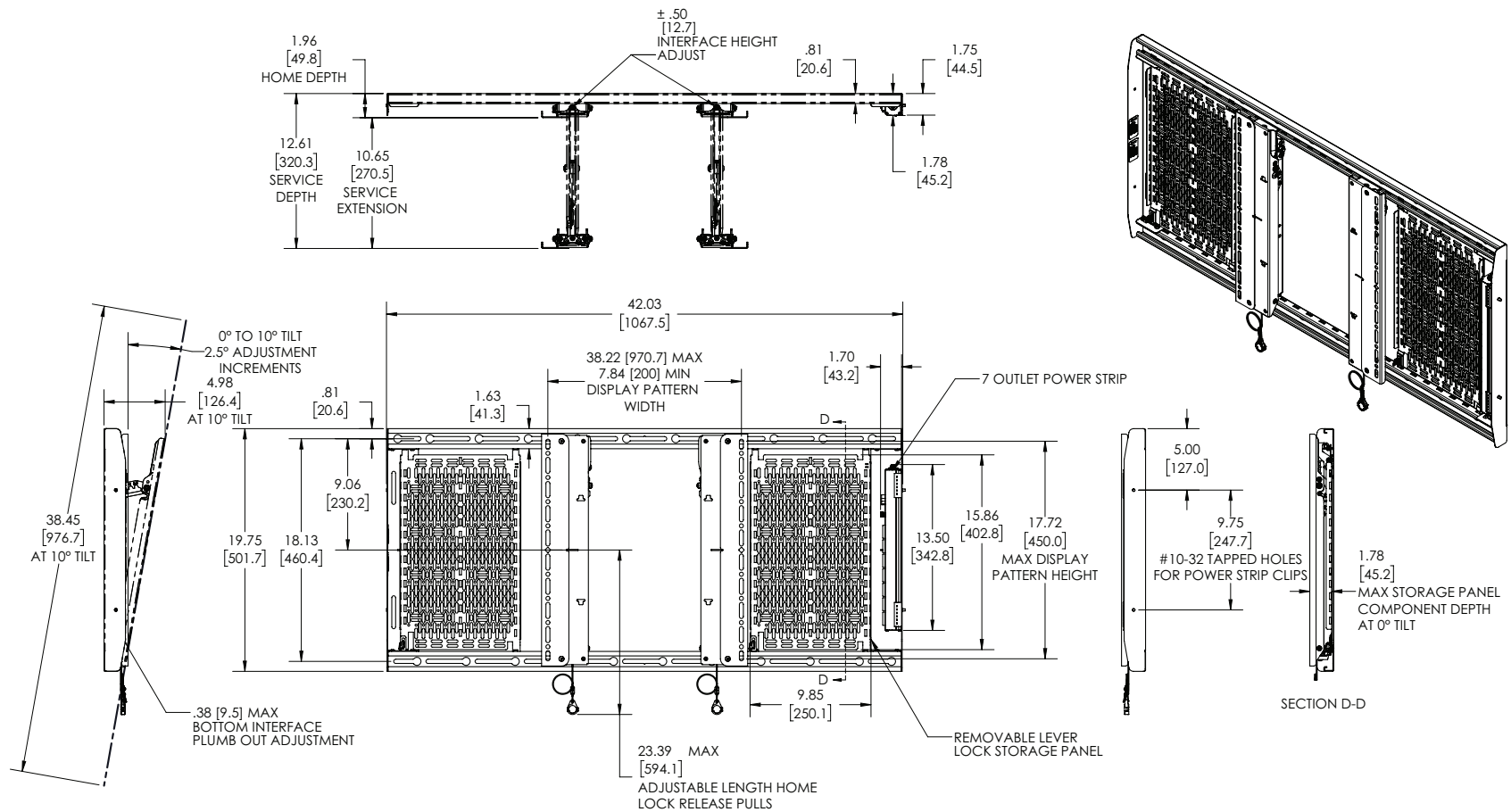
SPECIFICATIONS:



Part Number	AS3LD	AS3LDP7
Name	Tempo™ Flat Panel Wall Mount System	Tempo™ Flat Panel Wall Mount System with PDU
Power Distribution Unit	None	Includes (1) PD-715SC-NS
Typical Display Size	49"-86"	
Display Weight Capacity	Weight rating: 200 lbs (90.7 kg)	
Display Mounting Pattern	Up to 970 x 450 mm	
Dimensions (W x H x D)	42.03" x 19.75" x 1.96" (1068 x 502 x 50 mm)	
Wall Substrates	Steel stud, wood stud, concrete, and block walls	
Post-Install Leveling	1" (25 mm)	
Lateral Shift	Yes	
Tilt	-10°/+0°, 2.5° increments	
Plumb Adjust	0.38" (10 mm)	
Storage Dimensions (W x H)	Includes (2) 10" x 15" (250 x 402 mm) Lever Lock plates	
Storage Weight Capacity	20 lbs (9 kg) per Lever Lock plate	
Service Extension	10.65" (271 mm)	
Service Depth	12.61" (320 mm)	
Color	Black	
Certifications	UL	PD-715SC-NS: ETL

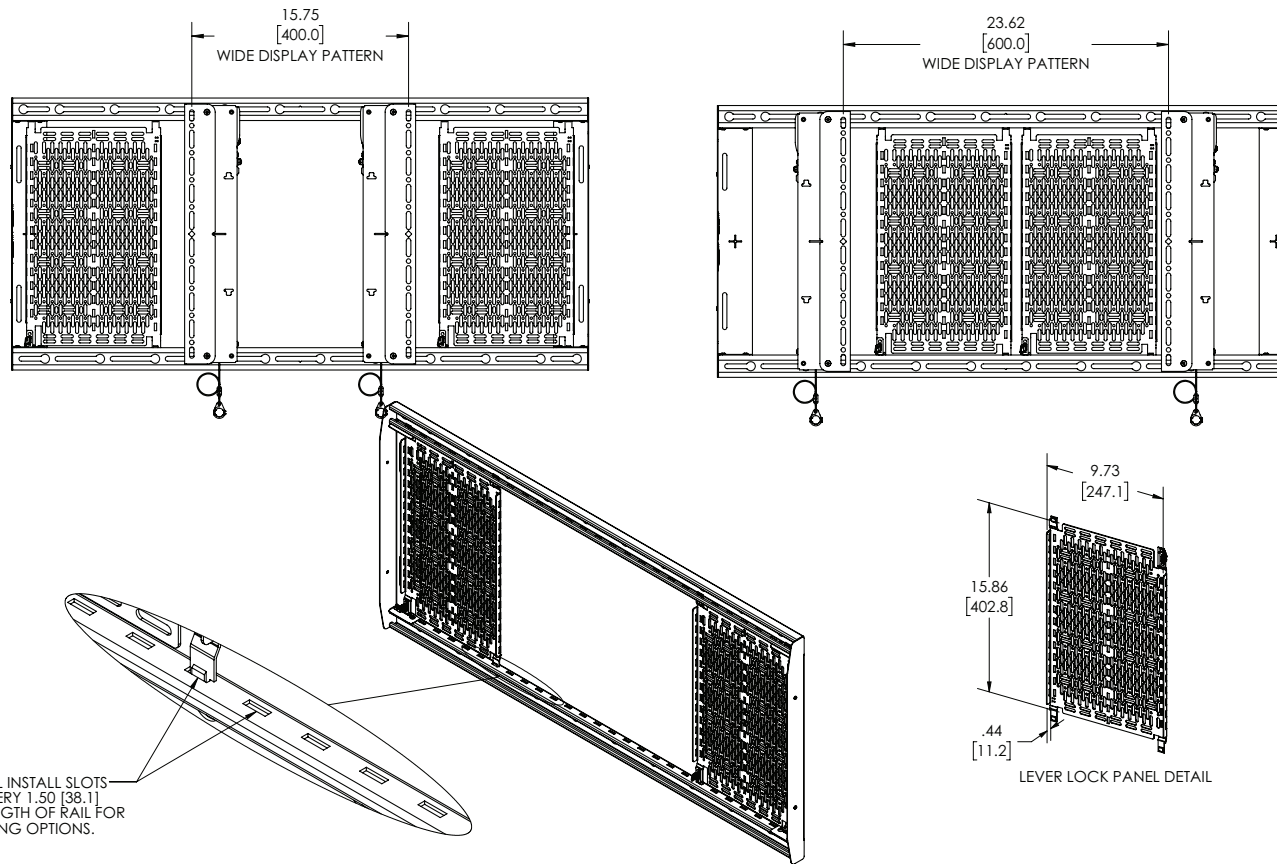
TEMPO[®] FLAT PANEL WALL MOUNT SYSTEM

AS3LDP7



TEMPO[®] FLAT PANEL WALL MOUNT SYSTEM

STORAGE DETAIL



LEVER LOCK PANEL INSTALL SLOTS ARE PROVIDED EVERY 1.50 [38.1] ALONG ENTIRE LENGTH OF RAIL FOR FLEXIBLE POSITIONING OPTIONS.

DETAIL E
SCALE 1 : 2

LEVER LOCK PANEL DETAIL

LEGRAND | AV COMMERCIAL BRANDS
C2G | Chief | Da-Lite | Luxul | Middle Atlantic | Vaddio | Wiremold

INSTALLER INSPIRED | legrandav.com

USA 866.977.3901 av.chief.support@legrand.com CANADA 877.345.4329 av.chief.canada@legrand.com
EMEA +31 495 580 840 av.emea.sales@legrand.com APAC +852 2145 4099 av.asia.sales@legrand.com