

PT670



Mounting Pattern
Up to
600 x 400mm



Max Load
165lb
(74.8kg)

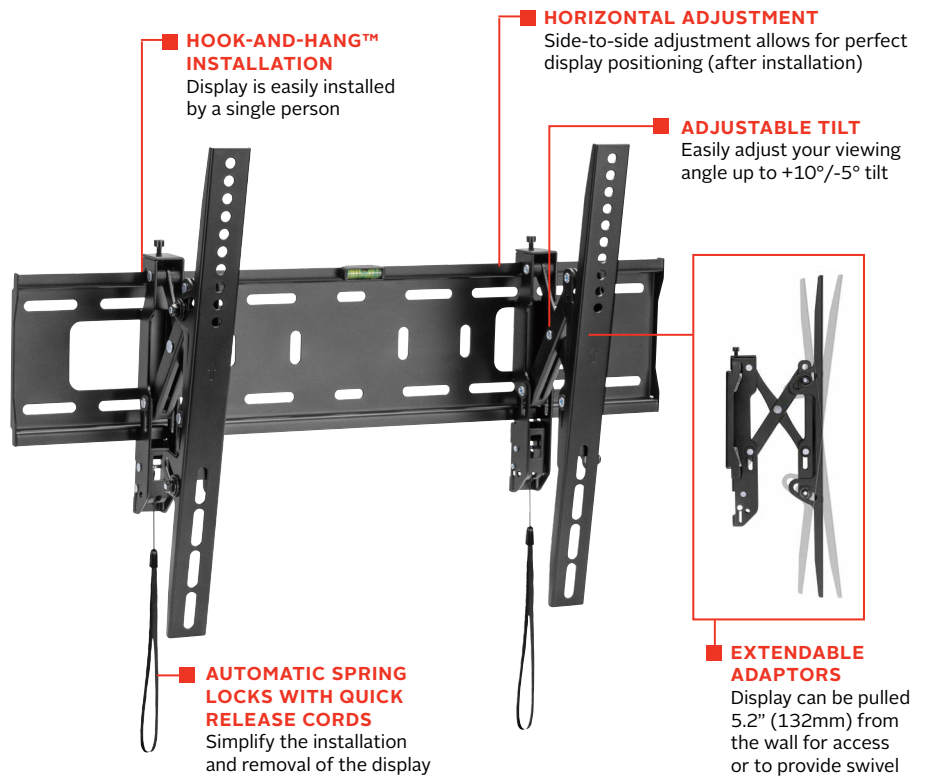
PARAMOUNT™

Universal Tilt Wall Mount

FOR 37" TO 85"+ DISPLAYS*

The Paramount™ series wall mounts provide versatile and multi-functional features. The extendable adaptors allow the display to be pulled away from the wall for easy access to the display's inputs. This makes connecting devices or changing HDMI cables a breeze. The extendable adaptors and pull cord design also help simplify applications where the display needs to be recessed into the wall. The Hook-and-Hang™ system offers easy, one-person installation of the display. Achieve perfect positioning of the display with the side-to-side adjustment after installation. The mount is easily adjustable with a 10° forward tilt and 5° backward tilt to achieve an ideal viewing angle. The mount also has automatic spring locks with quick release cords included to simplify installation and removal.

- Accommodates 200 x 200, 200 x 300, 300 x 200, 200 x 400, 400 x 200, 300 x 300, 300 x 400, 400 x 300, 400 x 400, 600 x 200, 600 x 300 and 600 x 400mm VESA® mounting patterns
- Adjustable 10° forward tilt and 5° backward tilt for finding the optimal viewing angle
- Ensure alignment with included level
- Anti-theft locking hole for additional security preventing any unwanted removal (extra padlock required)
- Mounts to wood stud, concrete, cinder or breeze block
- Includes all necessary wall and display attachment hardware



Please visit peerless-av.com/en-us/patents for patent information.

*This display size range is simply a guideline for product selection. Displays larger than the screen size range may still be compatible as long as they fall within the VESA® pattern and max weight of the Peerless-AV® product.



Comes in color packaging with included installation hardware and easy to follow instructions.

✉ info@peerless-av.com
🌐 peerless-av.com

peerless-AV®
Driving Technology Through Innovation

PT670	Paramount™ Universal Tilt Wall Mount for 37" to 85"+ Displays*
--------------	--

Product Specifications

*This display size range is simply a guideline for product selection. Displays larger than the screen size range may still be compatible as long as they fall within the VESA® pattern and max weight of the Peerless-AV® product.

	DIMENSIONS (W x H x D)	PRODUCT WEIGHT	LOAD CAPACITY	FINISH	AVAILABLE COLORS
PT670	25.71" x 16.93" x 2.83"-5.24" (653 x 430 x 72-133mm)	8lb (3.6kg)	165lb (74.8kg)	Scratch Resistant Fused Epoxy	Black

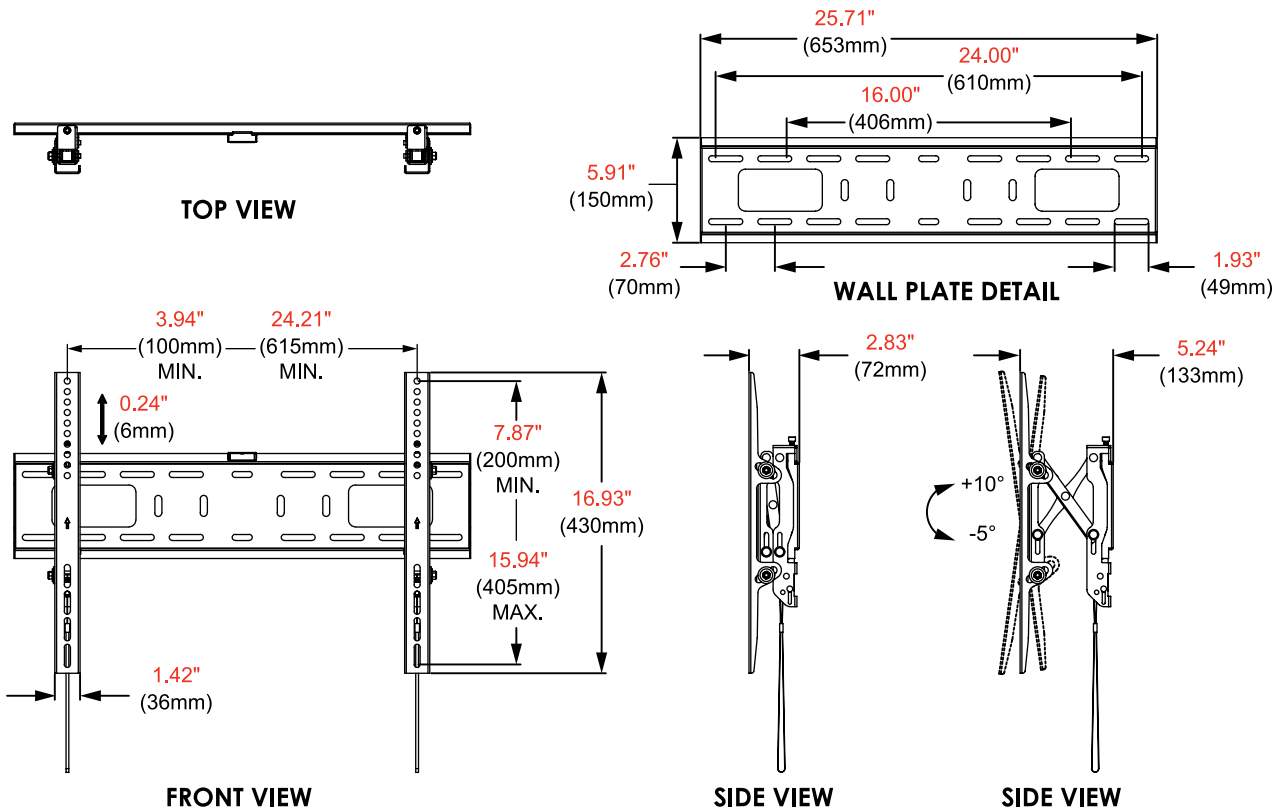
Package Specifications

	PACKAGE SIZE (W x H x D)	PACKAGE SHIP WEIGHT	PACKAGE UPC CODE	PACKAGE CONTENTS	UNITS IN PACKAGE
PT670	26.80" x 6.30" x 3.00" (681 x 160 x 76mm)	8.2lb (3.7kg)	735029347279	Wall Mount, Wall and Display Installation Hardware, Installation Instructions	1

Accessories

ACC-UCM: Universal AV Component Mount

All dimensions = **inch** (mm)



Architect Specifications

The Paramount™ Tilt Wall Mount shall be a Peerless-AV model PT670 and shall be located where indicated on the plans. Assembly and installation shall be done according to instructions provided by the manufacturer.

Visit peerless-av.com to see the complete line of AV solutions from Peerless-AV, including outdoor displays, kiosks, display mounts, projector mounts, carts/stands, and a full assortment of accessories.

Peerless-AV
2300 White Oak Circle
Aurora, IL 60502
USA
(800) 865-2112
(630) 375-5100

Peerless-AV EMEA
Unit 2 Curo Park
Frogmore, St. Albans
Hertfordshire, AL2 2DD
United Kingdom
+44 (0) 1923 200 100

Peerless-AV B.V.
Papendorpseweg 75
3528 BJ Utrecht
The Netherlands
+31 (0) 70 770 8037

Peerless-AV Latin America
Av. de las Industrias 413
Parque Industrial Escobedo
General Escobedo, N.L.,
México, 66062
+52 (81) 8384-8300

