

PA775



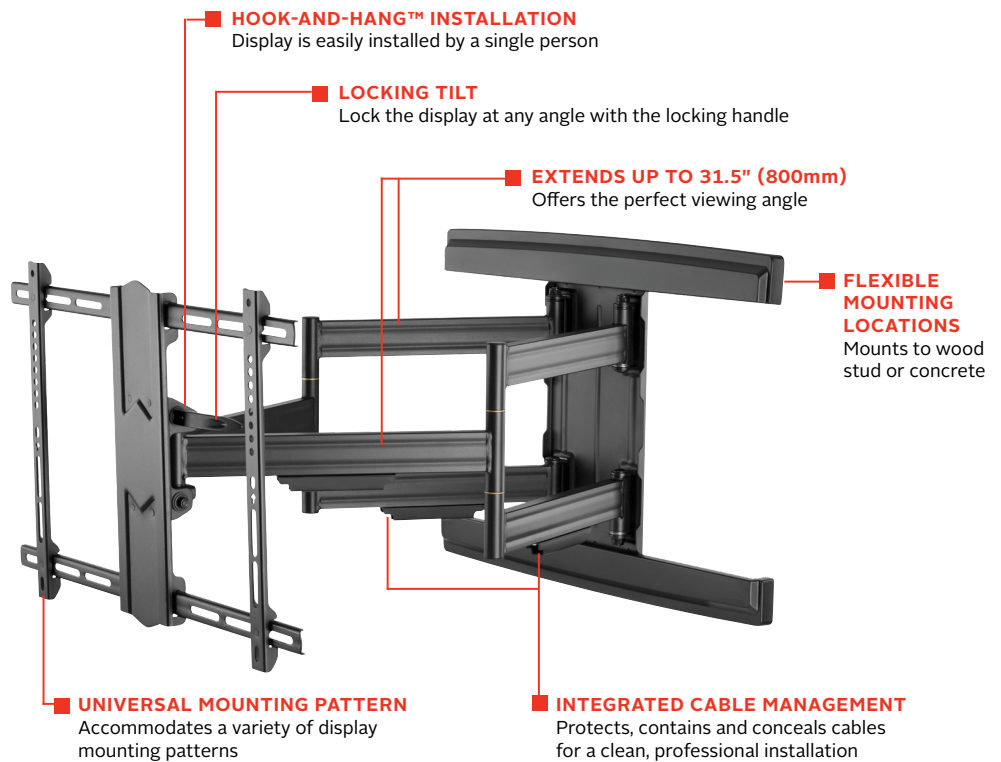
	<b>Mounting Pattern</b> Up to 600 x 400mm		<b>Max Load</b> 154lb (69.9kg)
--	---	--	--------------------------------------

# PARAMOUNT™ Articulating Wall Mount

FOR 37" TO 85"+ DISPLAYS\*

The Paramount™ series wall mounts provide versatile and multi-functional features. With PA775, extend the display up to 31.5" (800mm) or fully-retract it to just 2.76" (70mm) from the wall for the perfect viewing angle. The Hook-and-Hang™ system offers easy, one-person installation of the display. A handle provides locking tilt capability for quick adjustments to the amount of tilt, reducing glare and optimizing the viewing angle. Integrated cable management protects, contains and conceals cables for a clean installation.

- Accommodates 200 x 100, 200 x 200, 300 x 200, 400 x 200, 300 x 300, 400 x 300, 400 x 400 and 600 x 400mm VESA® mounting patterns
- Extends, swivels, turns and tilts with a full range of motion for the perfect viewing position
- After installation, the display can be rotated left and right ensuring it is level with its surroundings
- Cable management provides a point to secure and route cables for safety and a clean look
- Includes all necessary wall and display attachment hardware



Please visit [peerless-av.com/en-us/patents](http://peerless-av.com/en-us/patents) for patent information.

\*This display size range is simply a guideline for product selection. Displays larger than the screen size range may still be compatible as long as they fall within the VESA® pattern and max weight of the Peerless-AV® product.



Comes in color packaging with included installation hardware and easy to follow instructions.

**PA775** Paramount™ Articulating Wall Mount for 37" to 85"+ Displays\*

**Product Specifications**

\*This display size range is simply a guideline for product selection. Displays larger than the screen size range may still be compatible as long as they fall within the VESA® pattern and max weight of the Peerless-AV® product.

	DIMENSIONS (W x H x D)	PRODUCT WEIGHT	LOAD CAPACITY	FINISH	AVAILABLE COLORS
<b>PA775</b>	33.43" x 19.17" x 2.76"-31.50" (849 x 487 x 70-800mm)	34.3lb (15.6kg)	154lb (69.9kg)	Scratch Resistant Fused Epoxy	Black

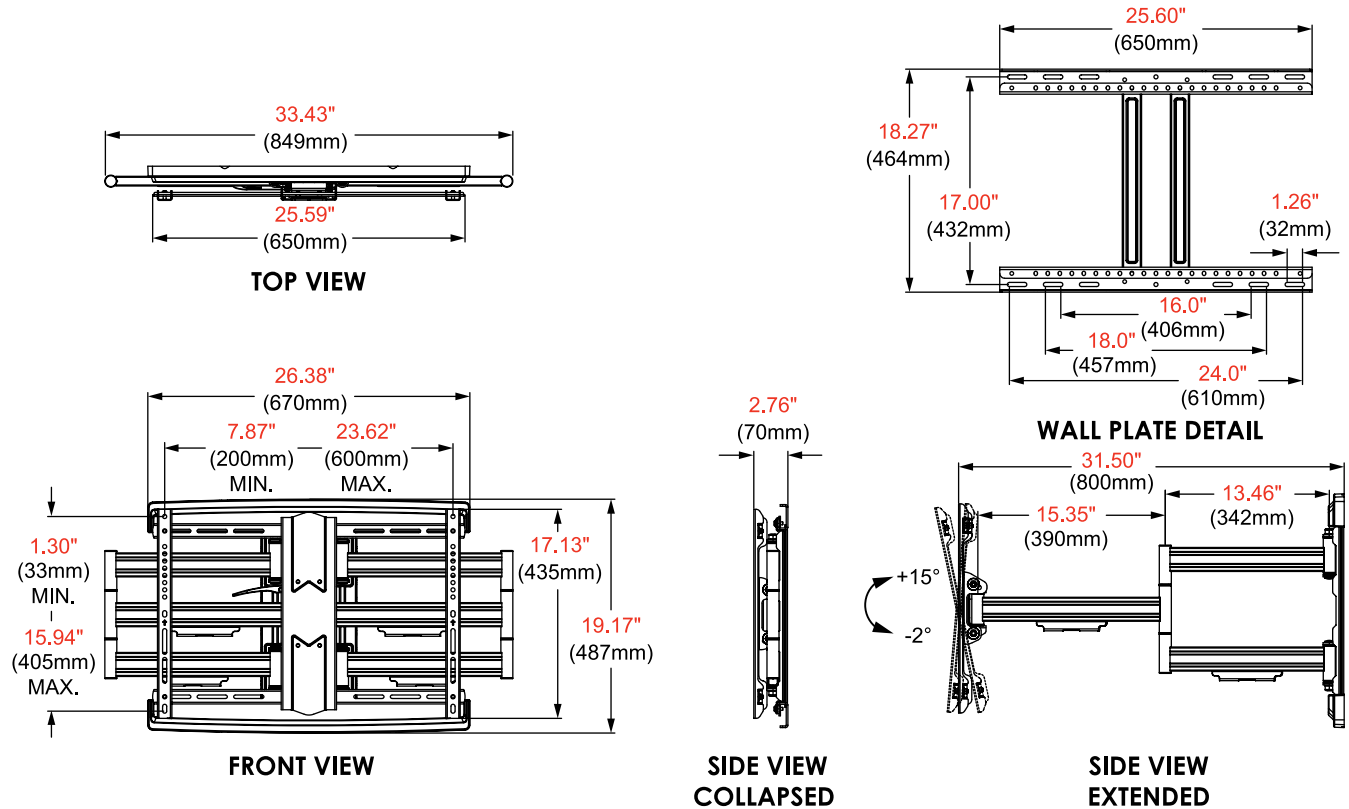
**Package Specifications**

	PACKAGE SIZE (W x H x D)	PACKAGE SHIP WEIGHT	PACKAGE UPC CODE	PACKAGE CONTENTS	UNITS IN PACKAGE
<b>PA775</b>	36.00" x 21.50" x 3.70" (914 x 546 x 94mm)	39.3lb (17.8kg)	735029347286	Wall Mount, Wall and Display Installation Hardware, Installation Instructions	1

**Accessories**

**ACC-UCM:** Universal AV Component Mount

All dimensions = inch (mm)



**Architect Specifications**

The Paramount™ Articulating Wall Mount shall be a Peerless-AV model PA775 and shall be located where indicated on the plans. Assembly and installation shall be done according to instructions provided by the manufacturer.

Visit [peerless-av.com](http://peerless-av.com) to see the complete line of AV solutions from Peerless-AV, including outdoor displays, kiosks, display mounts, projector mounts, carts/stands, and a full assortment of accessories.

**Peerless-AV**  
 2300 White Oak Circle  
 Aurora, IL 60502  
 USA  
**(800) 865-2112**  
**(630) 375-5100**

**Peerless-AV EMEA**  
 Unit 2 Curo Park  
 Frogmore, St. Albans  
 Hertfordshire, AL2 2DD  
 United Kingdom  
**+44 (0) 1923 200 100**

**Peerless-AV B.V.**  
 Papendorpsweg 75  
 3528 BJ Utrecht  
 The Netherlands  
**+31 (0) 70 770 8037**

**Peerless-AV Latin America**  
 Av. de las Industrias 413  
 Parque Industrial Escobedo  
 General Escobedo, N.L.,  
 México, 66062  
**+52 (81) 8384-8300**

