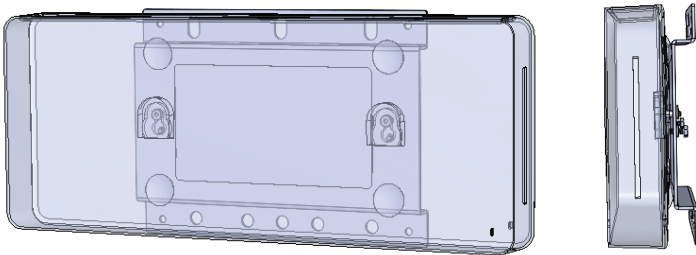
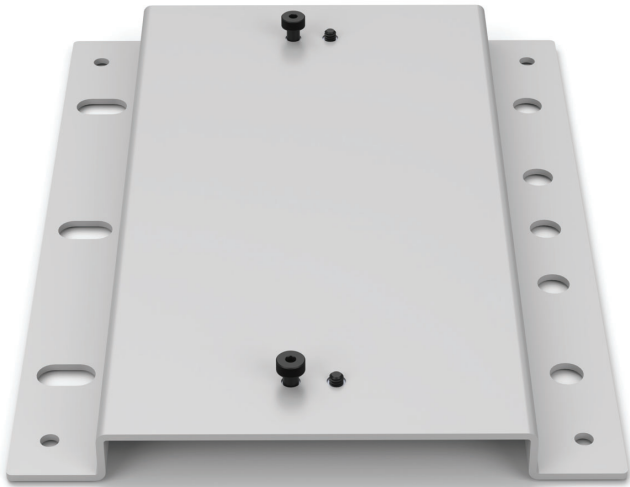


The Cisco Codec PPlus bracket model **BKT-CCPL** allows you to easily install your video conferencing codec. Its design securely attaches to most of our products or it can be wall mounted.

Constructed from durable steel and powder coated silver, it completes the HD video conferencing install.

Standard Features

- Stand or Wall mountable
- Mounting hardware included
- Made from durable steel
- Powder coated silver finish
-
- Fits our products: PM2-S, PM2-D, PM2-XL mounts; PM-S-FL, PM-XFL, PM-XFL-LIFT ,TP800 and TP1000 stand.



Specifications

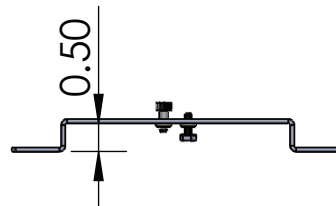
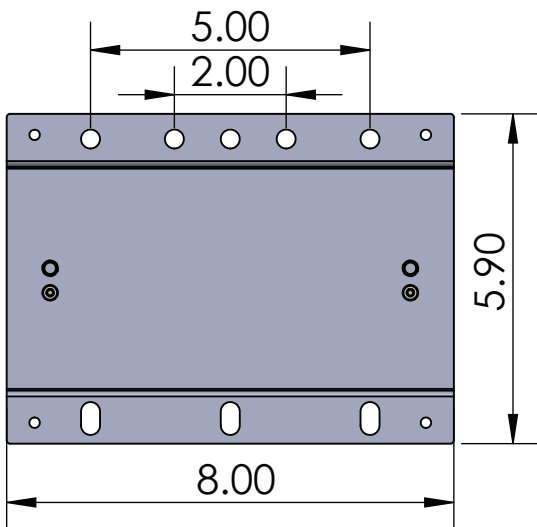
Model: BKT-CCPL

Width: 8.0"

Depth: 0.5"

Height: 5.9"

Color



The information contained in this drawing is the sole property of Audio Visual Furniture International. Any reproduction in part or as a whole without the written permission of Audio Visual Furniture International is prohibited. We can build or modify stock configurations to suit customer specifications. Please contact us to discuss how this service can help meet your needs. Some quantity restrictions may apply. Specification subject to change without notice. Computers, cameras, monitors, etc. are shown to illustrate product usage and are not included unless otherwise noted.