

The Power **CUB22** is a solution that complements tables, podiums or any worksurface with an easy access to power AV Devices.

It features a compact low-profile design with Bezel flush mount with 3 Modules, 2x Temper Resistant AC outlets and Double USB fast charging.

Standard Features

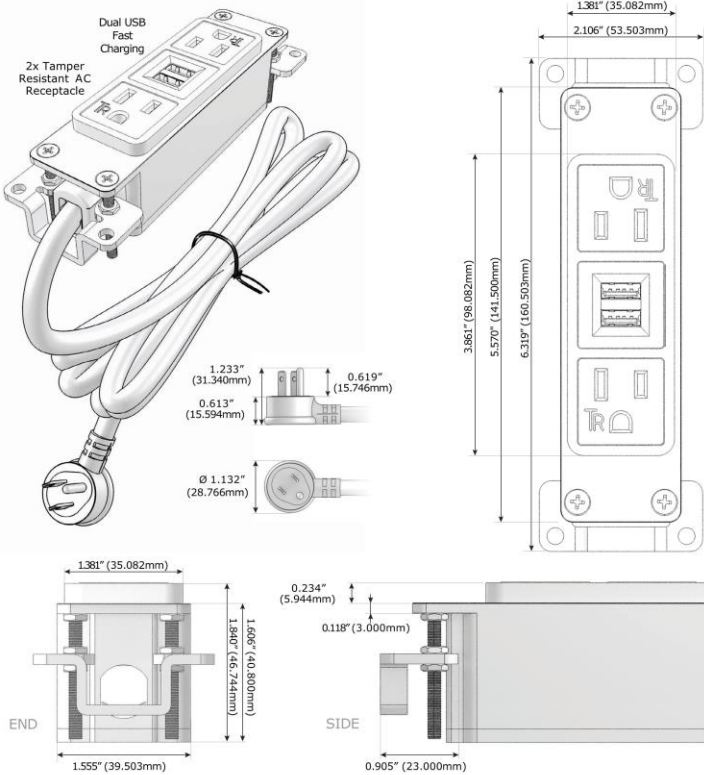
- 2x Tamper Resistant 125V 15A AC Outlets.
- Double USB fast charging (3.2A rated).
- Side-exiting, 6 ft. power cord Supplied with Low Profile Flat 45° Angle 120 VAC Plug.
- Black (ABS).

Options

- **CUTTING-CHARGE** Factory cut, panel mount cut-out, added to our podiums, lecterns and tables. (Specify desired cut-out location when ordering)

Specifications

- Model:** CUB22
- Cutout:** 1.43" x 3.91" (Top rout), 1.65" x 5.65" (Bottom rout)
- Cord length:** 6 ft.
- Color:** Black (ABS)
- (UL Listed for mounting in Furniture).



See next page for Installation Guide.

The information contained in this drawing is the sole property of Audio Visual Furniture International. Any reproduction in part or as a whole without the written permission of Audio Visual Furniture International is prohibited. We can build or modify stock configurations to suit customer specifications. Please contact us to discuss how this service can help meet your needs. Some quantity restrictions may apply. Specification subject to change without notice. Computers, cameras, monitors, etc. are shown to illustrate product usage and are not included unless otherwise noted.

Power Panel CUB22

Installation Guide

1

Hole on Top



Rout/cut top of wood/stone/etc. for outlet bezel as indicated on the cutout template labeled "TOP TEMPLATE".

2

Hole on Bottom



Rout/cut bottom of wood/stone/etc. for outlet bezel as indicated on the cutout template labeled "BOTTOM TEMPLATE".

3

Install Panel



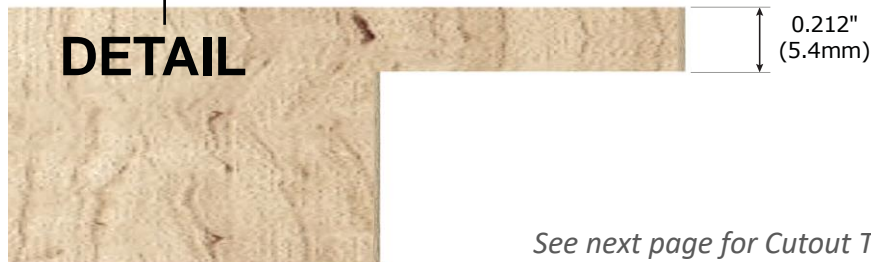
Insert outlet from bottom, and adjust nuts above and below both mounting brackets so that the top of the Power Panel is flush with the wood/stone/etc. as shown. **NOTE:** Max Torque Force when tightening nuts is: 0.4 N.cm ~ 0.6 N.cm

4

Secure Screws



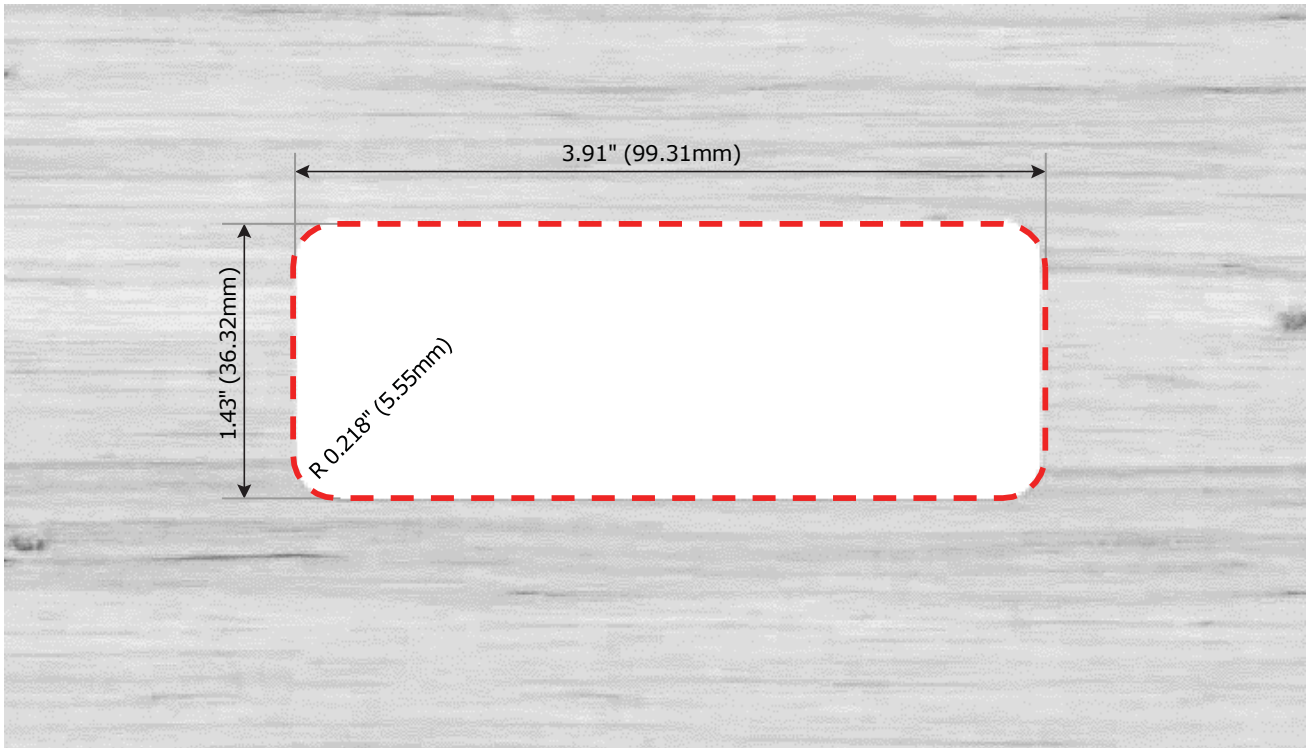
Use 3/4" screws (not provided) to fasten the brackets in place.



See next page for Cutout Template.

The information contained in this drawing is the sole property of Audio Visual Furniture International. Any reproduction in part or as a whole without the written permission of Audio Visual Furniture International is prohibited. We can build or modify stock configurations to suit customer specifications. Please contact us to discuss how this service can help meet your needs. Some quantity restrictions may apply. Specification subject to change without notice. Computers, cameras, monitors, etc. are shown to illustrate product usage and are not included unless otherwise noted.

TOP TEMPLATE



BOTTOM TEMPLATE

