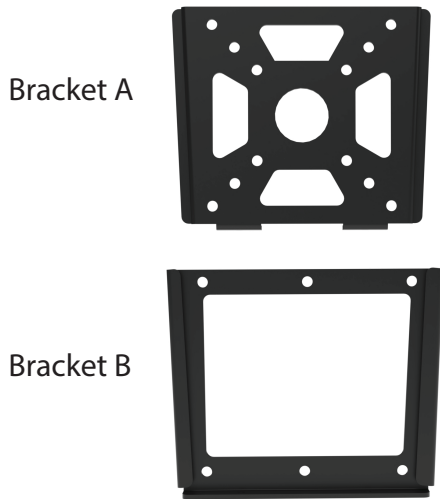
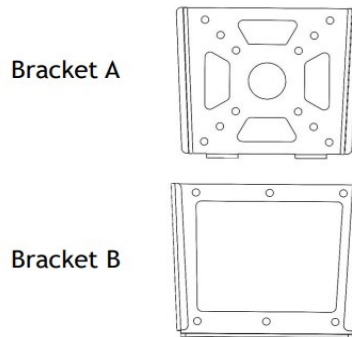


**FWM100** is a set of 2 brackets engineered to mount a monitor onto any of AVFI's wedge surfaces. Designed for easy maneuvering, the user simply slides **Bracket A** onto a mounted **Bracket B** to safely secure the monitor. Only comes in black.



**Standard Features**

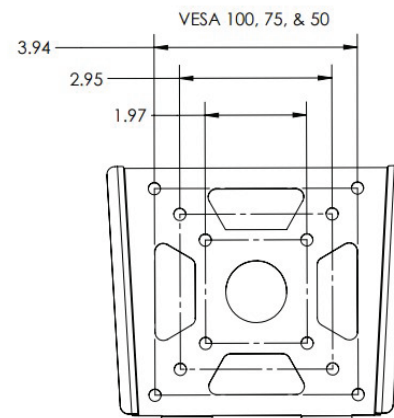
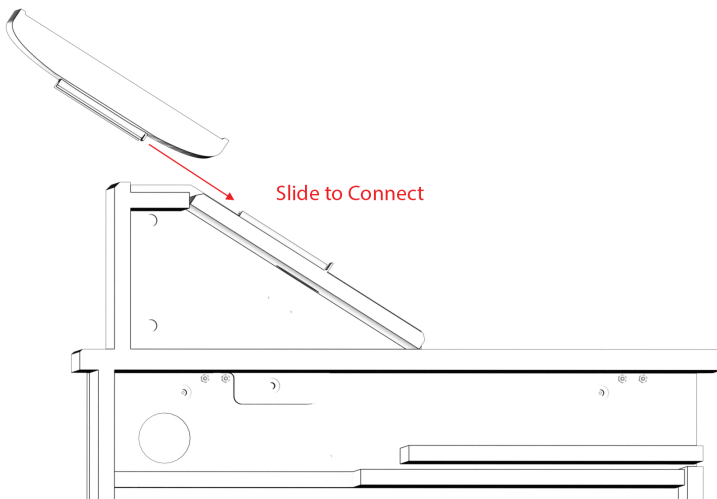
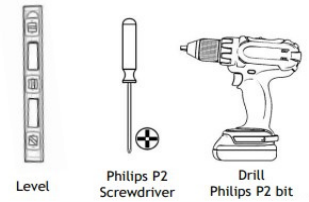
- Black finish
- Two mating brackets
- Mounting Hardware



**Included in package**



**What you will need**



The information contained in this drawing is the sole property of Audio Visual Furniture International. Any reproduction in part or as a whole without the written permission of Audio Visual Furniture International is prohibited. We can build or modify stock configurations to suit customer specifications. Please contact us to discuss how this service can help meet your needs. Some quantity restrictions may apply. Specification subject to change without notice. Computers, cameras, monitors, etc. are shown to illustrate product usage and are not included unless otherwise noted.