

## ACCESSORIES Model RU-SMA1 Surface Mounting Adapter

The RU-SMA1 is a plate for mounting a RACK-UP® module to any flat surface. The opening permits the mounting of either a RACK-UP module or RDL AMS accessories. The RU-SMA1 is ideal for mounting a module into a cabinet or lectern.

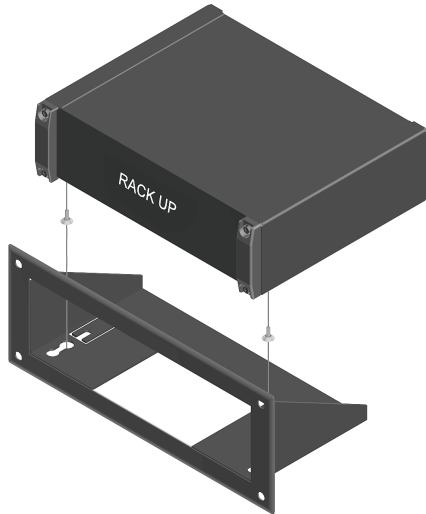


With Product Installed  
(RU-MX5ML available separately)

**ACCESSORIES**  
**Model RU-SMA1**  
**Surface Mounting Adapter**

**Installation/Operation**

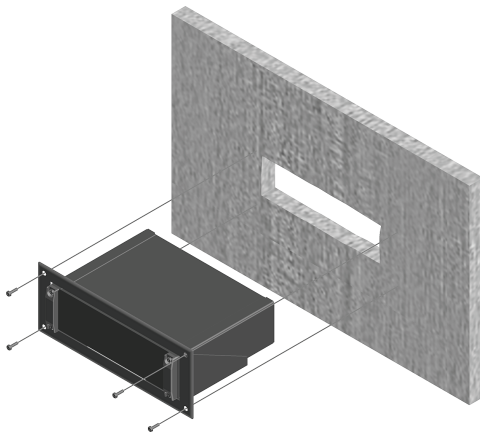
**CE** Declaration of Conformity available from rdlnet.com.  
Sole EMC specifications provided on product package.  
Specifications are subject to change without notice.



**STEP #1**  
Start the screws into the bottom of the RACK-UP but do not install them all the way. Place the RACK-UP unit onto the chassis. The screw heads will pass through the rear position in the cutouts.



**STEP #2**  
Slide the unit forward until the screws are seated in the forward position of the cutout. Tighten the screws to secure the unit in the chassis.



**STEP #3**  
Secure the chassis to the mounting surface with the screws.

**Recommend Cutout:**

