



**RDL**<sup>®</sup>  
Radio Design Labs

SPECIALISTS IN PRACTICAL PRECISION ENGINEERING™

# HALF-RACK SERIES

## Model HR-DDA4

### Digital Audio Distributor



- 1 x 4 Digital Audio Distribution for All Formats
- Input: AES/EBU, Coaxial or Optical S/PDIF, AES-3ID
- Each Output: AES/EBU, S/PDIF or AES-3ID
- Format Conversion for Selected Output Format
- Operation Up to 24 bits, 192 kHz
- Exclusive **SURE-LOK™** Auto-Recovery Sentinel
- Transformer Isolated AES/EBU Input and Outputs
- Digital Signal *Reclocking*
- Sample Rate Indicators
- Digital Signal Lock Indicator for Each Input Format

The HR-DDA4 is an RDL HALF-RACK product, featuring an all metal chassis and the advanced circuitry for which RDL products are known. HALF-RACKs may be operated free-standing using the included feet or may be conveniently rack mounted using available rack-mount adapters.

**APPLICATION:** The HR-DDA4 is the ideal choice in installations requiring high quality distribution of a digital audio signal. The input and each of the four outputs support AES/EBU, S/PDIF or AES-3ID formats. The HR-DDA4 automatically detects a valid input on any of the four input jacks: S/PDIF optical, S/PDIF coaxial, AES-3ID or AES/EBU. The input is decoded, reclocked and transmitted to four individually buffered outputs. Front-panel LEDs display the digital audio format and sample rate of a valid source received without any phase-lock or bit errors.

Each output is switch-selectable to provide an AES/EBU, S/PDIF coaxial or AES-3ID output. The switch enables the appropriate output jack and any required electrical and data format conversion. The AES/EBU input and outputs are 110  $\Omega$  terminated; the S/PDIF coaxial and AES-3ID jacks are 75  $\Omega$  terminated.

The HR-DDA4 is powered from 24 Vdc, which may be connected through the detachable terminal block or through the dc power jack. A front-panel power switch is provided.

RDL's proprietary **SURE-LOK™** auto-recovery supervision monitors possible causes of latch-up and reinitiates digital signal lock, bringing a high level of stability to digital audio signal distribution under the variety of conditions encountered in professional environments.

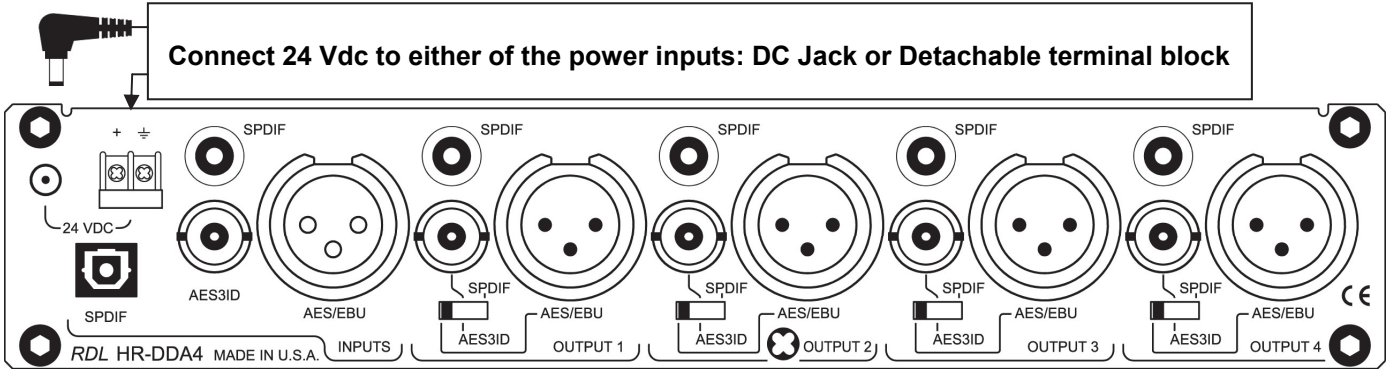
Use the HR-DDA4 individually, or combine it with other RDL products as part of a complete audio/video system.



## HALF-RACK SERIES Model HR-DDA4 Digital Audio Distributor

### Installation/Operation

Declaration of Conformity available from rdlnet.com.  
Sole EMC specifications provided on product package.  
Specifications are subject to change without notice.



Connect one digital audio source to the appropriate input jack:

S/PDIF OPTICAL,  
S/PDIF COAXIAL,  
AES-3ID or  
AES/EBU

Each of the four output sections will drive one S/PDIF, AES3-ID or AES/EBU output.

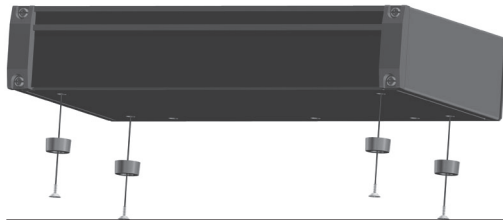
For each output section, connect one digital audio cable to the appropriate output jack:

S/PDIF COAXIAL,  
AES-3ID or  
AES/EBU

For each output section, set the output format switch to the desired format:

S/PDIF COAXIAL,  
AES-3ID or  
AES/EBU

#### MOUNTING



For free-standing operation, use the four provided machine screws to mount the feet to the bottom of the module as shown.  
OR  
Use the four provided machine screws to secure the module to an optional RDL mount, such as an HR-RA2 Rack Adapter.

#### LABELING

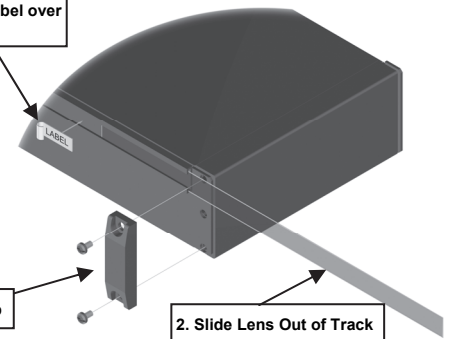
The function of this product can be conveniently and professionally labeled with a hand-held label printer equipped with 1/4" wide clear label tape.

3. Place Adhesive Label over Laminate in Track

4. Slide Lens back in position, covering the clear adhesive labels. Replace the End Cap.

1. Remove End Cap

2. Slide Lens Out of Track



#### TYPICAL PERFORMANCE

Inputs (4):	110 Ω AES/EBU XLR, transformer isolated; S/PDIF optical; 75 Ω S/PDIF coaxial phono jack; 75 Ω AES-3ID BNC	
Outputs (12):	110 Ω AES/EBU XLR, balanced transformer isolated (4); 75 Ω S/PDIF coaxial phono jack (4); 75 Ω AES-3ID BNC (4)	
Selectors (4):	Rear-panel output format selector (1 for each output)	
Sample Rate:	32 kHz to 192 kHz	
Resolution:	16 to 24 bits	
Indicators (12):	<b>POWER LED; INPUT FORMAT LEDs (2); Sample Rate LEDs (9)</b>	
Standards:	AES3-2003, IEC60958	
Power Requirement:	24 to 33 Vdc @ 50 mA, Ground-referenced	
Mounting:	Rack-mount using optional rack adapters such as HR-RA2; or operate free-standing (feet included)	
Dimensions:	Height:	1.7 in      4.3 cm
	Length:	8.6 in      20.6 cm
	Depth:	4.59 in     11.66 cm

NOTE: This equipment has been tested and found to comply with the limits for a Class B digital device, pursuant to part 15 of the FCC Rule. These limits are designed to provide reasonable protection against harmful interference in a residential installation. The equipment generates, uses and can radiate radio frequency energy and, if not installed and used in accordance with the instructions, may cause harmful interference to radio communications. However, there is no guarantee that interference will not occur in a particular installation. If this equipment does cause harmful interference to radio or television reception, which can be determined by turning the equipment off on, the user is encouraged to try to correct the interference by one or more of the following measures:

- Reorient or relocate the receiving antenna
- Increase the separation between the equipment and receiver
- Connect the equipment into an outlet on a circuit different from that which the receiver is connected.
- Consult the dealer or an experienced radio/TV technician for help.