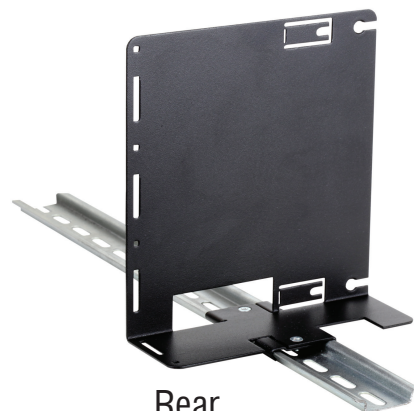


## ACCESSORIES Model DRA-35R RACK-UP DIN Rail Adapter

The DRA-35R provides DIN rail mounting for any RDL RACK-UP® module, allowing full access to the front and rear panels of the mounted modules. The DRA-35R attaches to a 35 mm DIN Rail.



Front



Rear

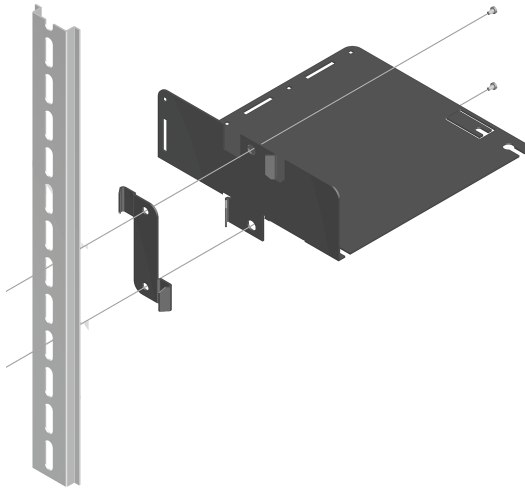


With Product Installed  
(Available Separately)

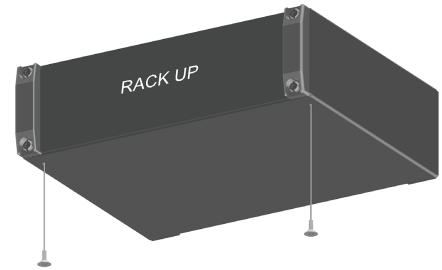
**ACCESSORIES**  
**Model DRA-35R**  
**RACK-UP DIN Rail Adapter**

**Installation/Operation**

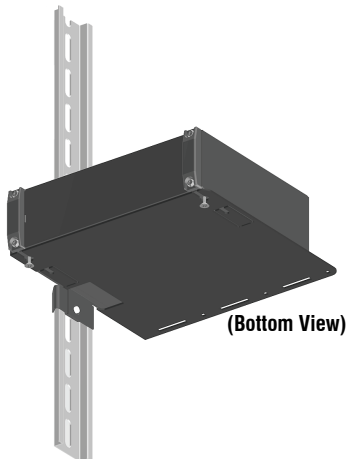
**CE** Declaration of Conformity available from rdlnet.com.  
Sole EMC specifications provided on product package.  
Specifications are subject to change without notice.



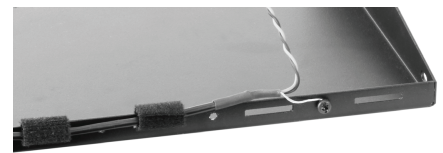
**STEP #1**  
Attach the DRA-35R to the DIN rail with the included screws.



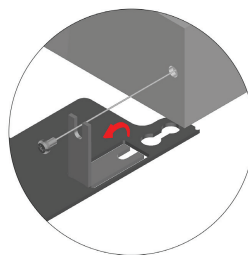
**STEP #2**  
Start the screws into the bottom of the RACK-UP but do not install them all the way.



**STEP #3**  
Secure the RACK-UP to the DRA-35R chassis by sliding the unit rearward so that the screws seat into the mounting holes and tighten the screws.



If desired use the rectangular cut outs in the chassis to secure wiring with hook and loop fastener or wire-ties. The smaller holes can be used for ground wire attachment.



**NOTE:** When installing a RACK UP product that is in a plastic box start by removing the screws from the back of the RACK UP. Bend the tabs on the mounting unit up at a 90° angle. Secure the unit to the mounting chassis using the screws.