



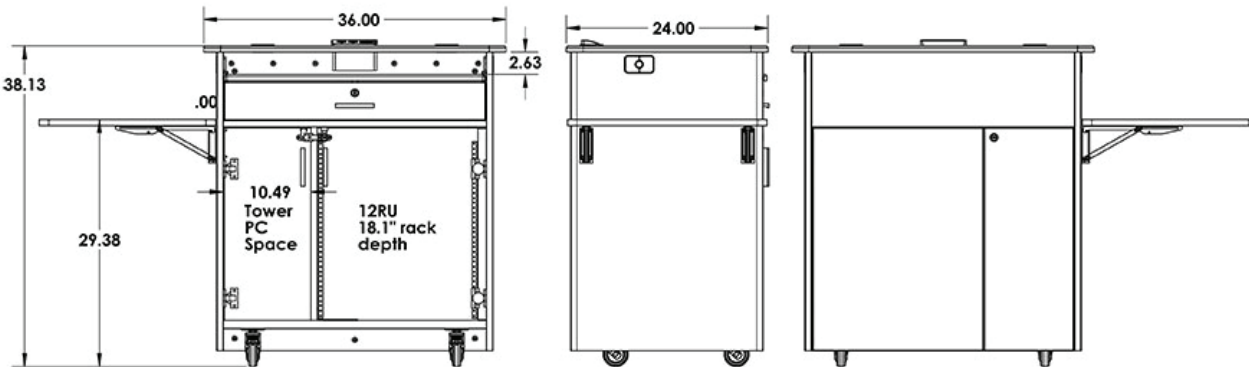
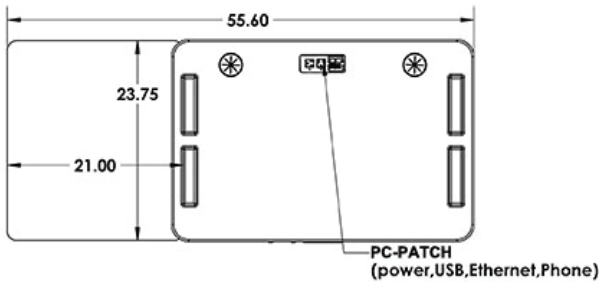
EDU-LE features 12 rack spaces and a folding side shelf. Clean audience side look with locking rear access door. Other features include: locking front doors, pull-out keyboard and mouse tray, large work surface, quiet cooling fan and heavy duty casters. Scratch resistant thermowrap top surfaces and laminate main body construction.

Standard Features

- 12U space 19" EIA compliant rack rails (19.375" depth). Both front & rear sets are now included.
- Locking front and rear doors
- Aluminum protected corners
- PC space
- Locking drawer for easy storage
- Pull-out keyboard and mouse tray
- Folding side shelf. Black only (Can accommodate 2)
- **FAN** Quiet cooling fan 120mm
- **PC-PATCH** 2x 110AC, RJ45, Phone, 2x USB
- Heavy duty casters (2 locking)
- Laminate body with many finishes to choose from & scratch resistant black thermowrap top surfaces
- Ships assembled

Options

- **C900S** 15" - 24" Adjustable monitor arm
- **C900D** Adjustable dual monitor arm
- **PLM1022** 10" - 24" Monitor mount
- **MM1232** 12" - 32" Monitor mount
- **MCB1925** 19" - 25" Monitor/camera bracket
- **FM3** Count down timer/ clock
- **MIC-18** MX418 S/C Shure Gooseneck microphone
- **LIGHT-18** Littlite Gooseneck
- **PB** Six outlet power bar with 10 ft. cord
- **CUB3** Round cable well
- **CUB4** Black-B/Silver-S Power Panel
- **CUB5** Round cable well (Black or Silver)
- **CUB8** Table top cable well
- **CHGQIB** Wireless charging station
- **9031** Vented metal shelf
- **9052** Sliding metal drawer
- **9107** Lacing bar (19" long)
- **LEV4AX4** 4x Levelers for non-mobile applications
- **CUSTOM CUTOUT** Cutouts for electronics or other items specified by the customer



Specifications

Model: EDU-LE
Width: 36"
Depth: 24"
Height: 38-3/8"

Finishes



Other finishes are available. Check website.

The information contained in this drawing is the sole property of Audio Visual Furniture International. Any reproduction in part or as a whole without the written permission of Audio Visual Furniture International is prohibited. AVFI can build or modify stock configurations to suit customer specifications. Please contact us to discuss how this service can help meet your needs. Some quantity restrictions may apply. Specification subject to change without notice. Computers, cameras, monitors, etc. are shown to illustrate product usage and are not included unless otherwise noted.