



The **LEX321** Lectern will provide a touch of elegance to the speaker with its unique and stylish design that will add intrigue to every presentation.

Featuring a large work surface with page stopper to keep papers and books secure, highly resistant thermowrap body finish, casters for easy maneuvering, and adjustable and removable shelves that will suit the needs of different presentation applications.

Standard Features

- Large 26.5" W x 21" D work surface
- Large interior shelves (Top shelf is adjustable and middle shelf can be removed)
- Heavy-duty casters for easy maneuvering (2 locking)
- Highly resistant thermowrap surface & body finish
- Ships assembled

Options

- **MIC-18** MX418C Shure Gooseneck microphone
- **LIGHT-18** Littlite Gooseneck
- **FM3** Count down timer/ clock
- **PB** Six outlet power bar with 10 ft. Cord
- **PC-PATCH** 2x 110AC, RJ45, Phone, 2x USB
- **SF-PB3** Surface mounted 3-outlet 120V power bar
- **CUB3** Round cable well
- **CUB4** Black-B/Silver-S Power Panel
- **CUB5** Round cable well (Black or Silver)
- **LEV4AX4** 4x Levelers for non-mobile applications
- **CUSTOM CUTOUT** Cutouts for electronics or other items specified by the customer.

Specifications

Model: LEX321

Width: 29"

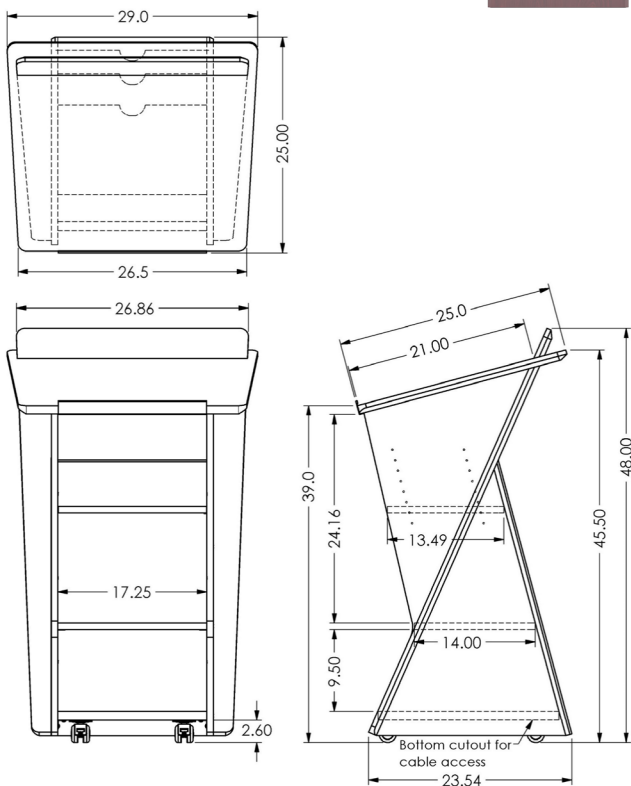
Depth: 25"

Height: 48"

Finishes:



Other finishes are available. Check website.



The information contained in this drawing is the sole property of Audio Visual Furniture International. Any reproduction in part or as a whole without the written permission of Audio Visual Furniture International is prohibited. We can build or modify stock configurations to suit customer specifications. Please contact us to discuss how this service can help meet your needs. Some quantity restrictions may apply. Specification subject to change without notice. Computers, cameras, monitors, etc. are shown to illustrate product usage and are not included unless otherwise noted.