

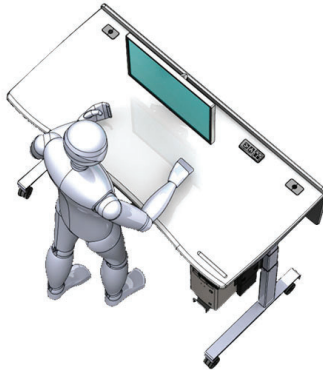


Shown with Options  
Modesty panel not exactly as shown

The **DS6330-LFT** is a mobile adjustable height sit/stand desk suitable for offices, classrooms, and corporate training sites. This versatile piece of furniture offers a large work surface, equipped with accessible power outlets and grommets for electronics and charging devices. Additionally, it includes a modesty panel for user privacy that duals as a wire management feature. Powered by reliable Linak® electric actuators, it provides seamless height adjustment (28" - 52") with a convenient height readout LCD. With three user memory height settings, it effortlessly transitions from sitting to standing positions, making it an ideal choice for modern professional environments and tech-savvy educational settings.

### Standard Features

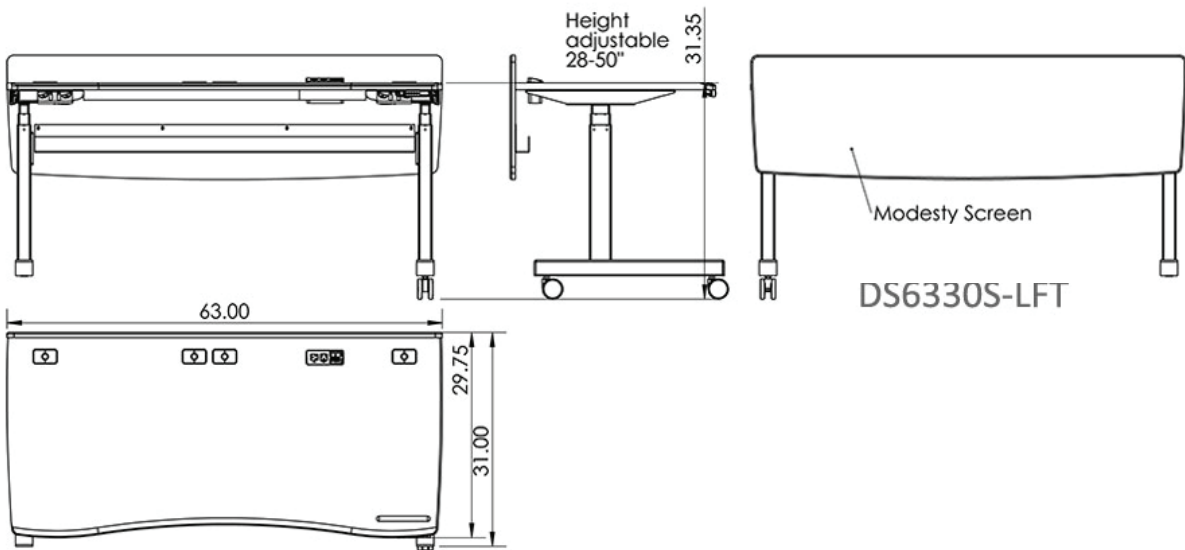
- ADA compliant
- Made with highly resistant thermowrap available in many colors
- Large 63" W x 30" D work surface to accommodate monitors, laptops and documents
- Modesty panel with cable management
- Linak® electric actuators with push-button height adjustment (28" - 52") and LCD display
- **PC-PATCH** 2x 110AC, RJ45, Phone, 2x USB power panel



Shown with Options

### Options

- **C900S** 15" - 24" Adjustable monitor arm
- **C900D** Adjustable dual monitor arm
- **PB** Six outlet power bar with 10 ft. cord
- **CHGQIW/B** Wireless charging station white or black
- **CHGQI-DNGL** Dongle Lightning, USB Type-C, Micro-USB. (Requires CHGQIW/B)
- **PCH730** Under desk computer holder
- **CUSTOM CUTOUT** Cutouts for electronics or other items specified by the customer
- Fixed height version also available - Model DS6330



### Specifications

**Model:** DS6330-LFT  
**Width:** 63"  
**Depth:** 30"  
**Height:** 28" - 52"

### Finishes



Other finishes are available with a longer lead time. Check website.

The information contained in this drawing is the sole property of Audio Visual Furniture International. Any reproduction in part or as a whole without the written permission of Audio Visual Furniture International is prohibited. AVFI can build or modify stock configurations to suit customer specifications. Please contact us to discuss how this service can help meet your needs. Some quantity restrictions may apply. Specification subject to change without notice. Computers, cameras, monitors, etc. are shown to illustrate product usage and are not included unless otherwise noted.