



USB 2.0 A/B Cable Series

OVERVIEW

Just plug-and-play for keyboards, mice, modems, printers, and other USB peripherals. This cable provides a transfer rate up to 480 Mbps depending upon the peripheral's USB version, and easily attaches to any USB device. Foil and braid shielding reduces EMI/RFI interference and twisted pair construction helps reduce crosstalk thus ensuring high speed, error-free data transfer.

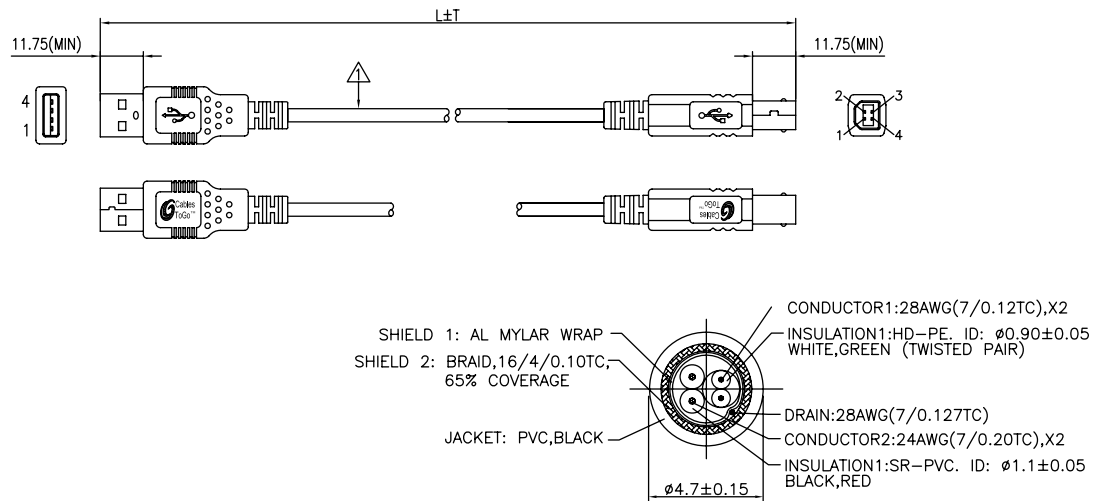
FEATURES

- Easily connect a USB Hub, Keyboard or Mouse to a computer
- Supports high speed USB 2.0 devices (480 Mbps), and is backwards compliant with full-speed USB 1.1 (12 Mbps) and low speed USB 1.0 (1.5 Mbps).
- PC and Mac[®] compatible
- Available in lengths up to 5m

US SKU	UK SKU	PRODUCT DESCRIPTION
28101	81565	3.3ft (1m) USB 2.0 A/B Cable - Black
28102	81566	6.6ft (1m) USB 2.0 A/B Cable - Black
28103	81567	9.8ft (1m) USB 2.0 A/B Cable - Black
28104	81568	16.4ft (1m) USB 2.0 A/B Cable - Black
13171	81560	3.3ft (1m) USB 2.0 A/B Cable - White
13172	81561	6.6ft (1m) USB 2.0 A/B Cable - White
13400	81562	9.8ft (1m) USB 2.0 A/B Cable - White
13401	81563	16.4ft (1m) USB 2.0 A/B Cable - White

PHYSICAL CHARACTERISTICS

- Connector 1: USB-A 2.0, Male, Gold Flash Plated, Nickel Plated Shell
- Connector 2: USB-B 2.0, Male, Gold Flash Plated, Nickel Plated Shell
- Hood: Molded
- Testing: 100% Electrical Test at 10Ω insulation resistance
- Jacket: PVC
- Conductor Size: 28AWG
- OD: 4.7mm±0.15
- Approvals: RoHS Compliant
- Warranty: Lifetime



A brand of **legrand**

LEGRAND | AV COMMERCIAL BRANDS

C2G | Chief | Da-Lite | Luxul | Middle Atlantic | Vaddio | Wiremold

SIMPLIFIED CONNECTIVITY

USA 800.506.9607 | legrandav.com | customer-service@c2g.com

EMEA +31 495 580 840 | legrandav.com | c2g.emea@av.legrand.com

©2023 Legrand AV Inc. 230158 Rev A 3/23 C2G is a registered trademark of Legrand AV Inc. All other brand names or marks are used for identification purposes and are trademarks of their respective owners. All patents are protected under existing designations. Other patents pending.