

FUSION® WALL MOUNT SOLUTIONS

MENU BOARD MOUNTS

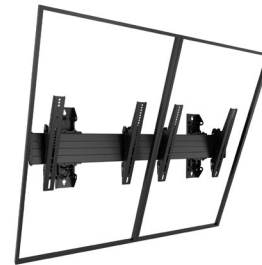
Fusion menu board wall mounts use what installers love about the ceiling mounted solutions to execute on-wall digital menu boards. The mounts offer perfect display positioning and flexible adjustments. Accessories are available to customize any configuration.* Modular extrusions with installation connectors ship in compact packaging for easy handling and stocking.

FEATURES

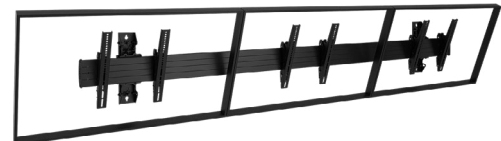
- ControlZone™ Height & Roll adjustments up to $\pm 1"$ (25 mm) with a floating center wall bracket on 4x1 and 5x1 configurations.
- Lateral shift allows wall brackets to shift around outlets and keep displays centered regardless of stud positioning.
- Independent depth adjust of 1" (25 mm), from 5.8-6.8" (147-173 mm), accommodates media players and cabling behind the displays and compensates for uneven walls.
- Centris® tilt between 0-20 degrees with locking points at 0, 10 and 20 degrees.
- Minimal wall attachment points leads to a faster install with fewer holes to drill.
- Tool-free screen engagement to secure displays with optional padlock security.
- Shorter, modular extrusions with installation connectors.
- Compact packaging fits on standard-sized pallets for easy shipping.



LWM2x1U
2x1 Mount, Landscape



LWM2x1UP
2x1 Mount, Portrait



LWM3x1UM
3x1 Mount, Landscape

*See our Fusion™ Wall Mounts Brochure for more information on mounts and accessories.

FUSION® WALL MOUNT SOLUTIONS

SPECIFICATIONS



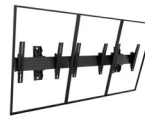
LWM2x1U
2x1 Mount, Landscape



LWM2x1UP
2x1 Mount, Portrait



LWM3x1UM
3x1 Mount, Landscape



LWM3x1UP
3x1 Mount, Portrait



LWM4x1UM
4x1 Mount, Landscape

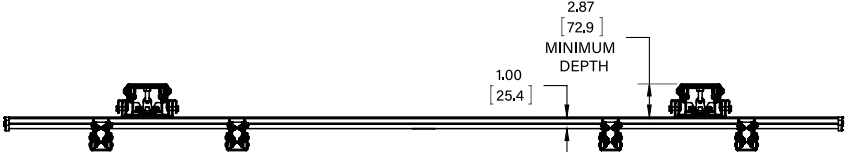


LWM5x1UM
5x1 Mount, Landscape

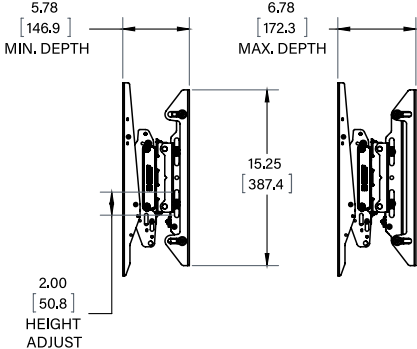
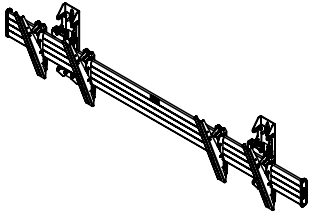
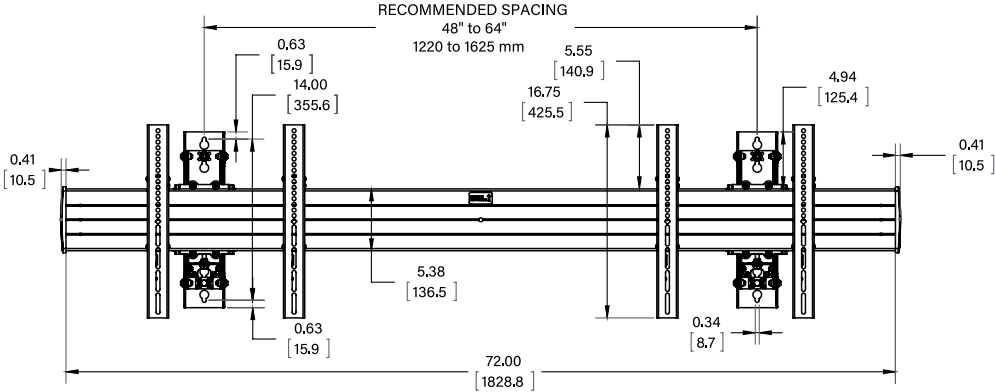
MODEL	CONFIGURATION	EXTRUSION LENGTH	WEIGHT CAPACITY (PER SCREEN)	MOUNTING PATTERN	DEPTH ADJUST RANGE
LWM2x1U	2x1 Landscape	72" (183 cm)	125 lbs (56.7 kg)	any width x 100 - 400 mm	5.8-6.8" (147-173 mm)
LWM2x1UP	2x1 Portrait	46" (117 cm)	125 lbs (56.7 kg)	any width x 100 - 800 mm	5.8-6.8" (147-173 mm)
LWM3x1UM	3x1 Landscape	108" (274 cm)	125 lbs (56.7 kg)	any width x 100 - 400 mm	5.8-6.8" (147-173 mm)
LWM3x1UP	3x1 Portrait	68" (173 cm)	125 lbs (56.7 kg)	any width x 100 - 800 mm	5.8-6.8" (147-173 mm)
LWM4x1UM	4x1 Landscape	156" (396 cm)	125 lbs (56.7 kg)	any width x 100 - 400 mm	5.8-6.8" (147-173 mm)
LWM5x1UM	5x1 Landscape	192" (488 cm)	125 lbs (56.7 kg)	any width x 100 - 400 mm	5.8-6.8" (147-173 mm)

FUSION® WALL MOUNT SOLUTIONS

LWM2X1U SPECIFICATIONS

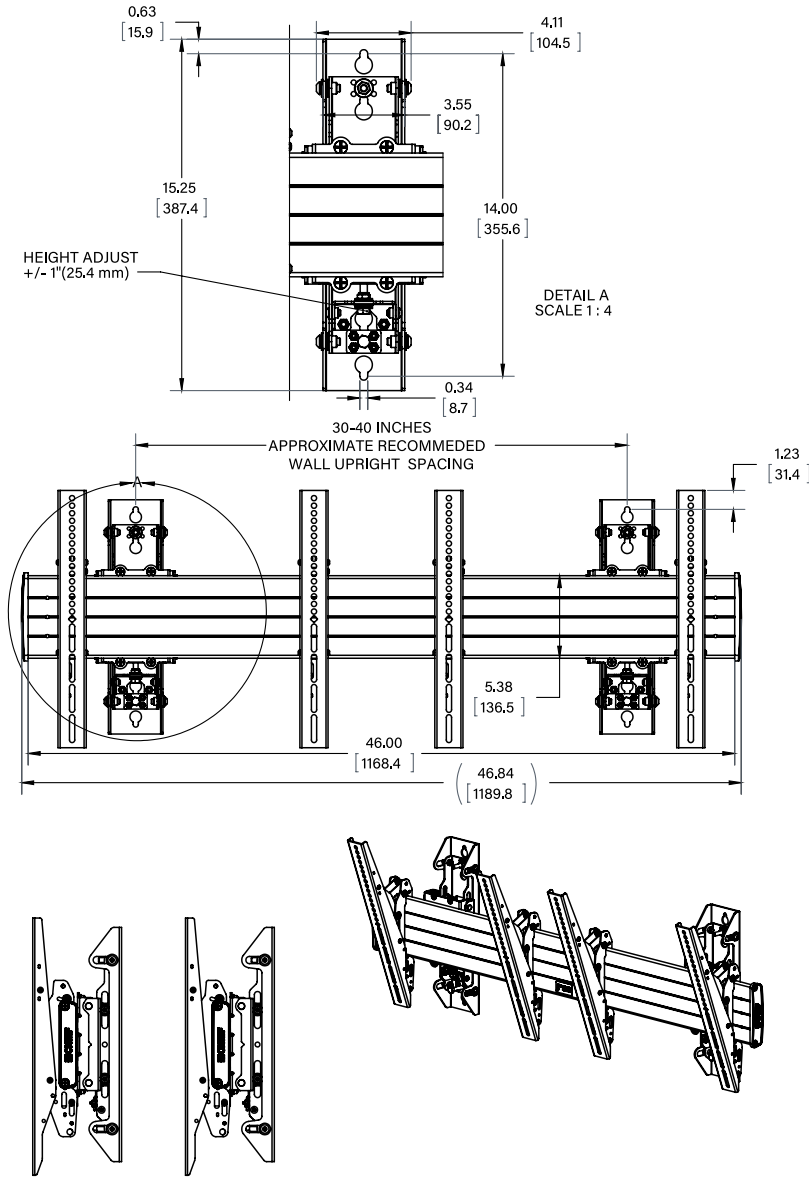


MOUNT SHOWN WITH HEIGHT ADJUST CENTERED



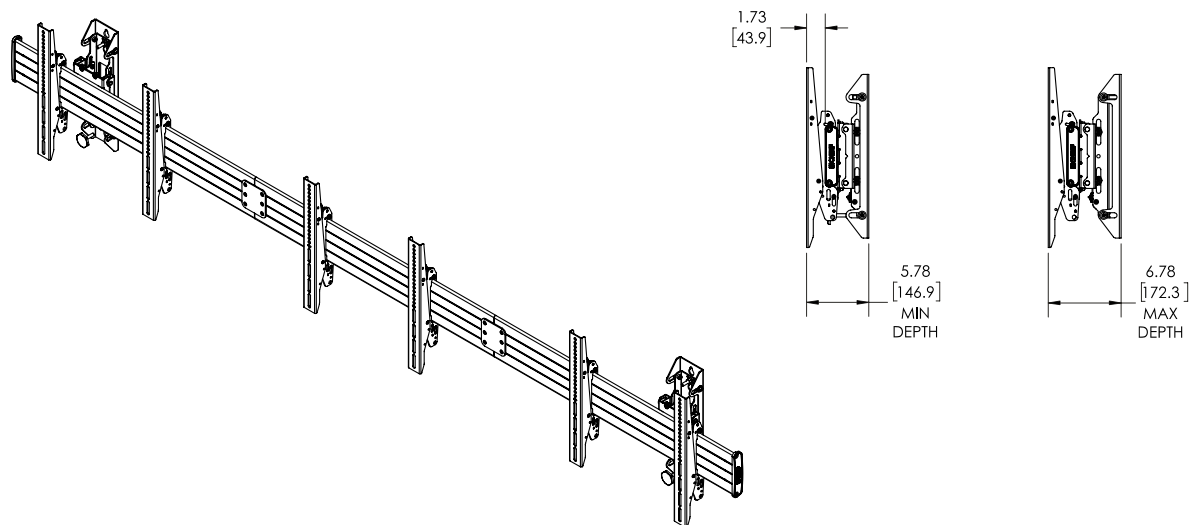
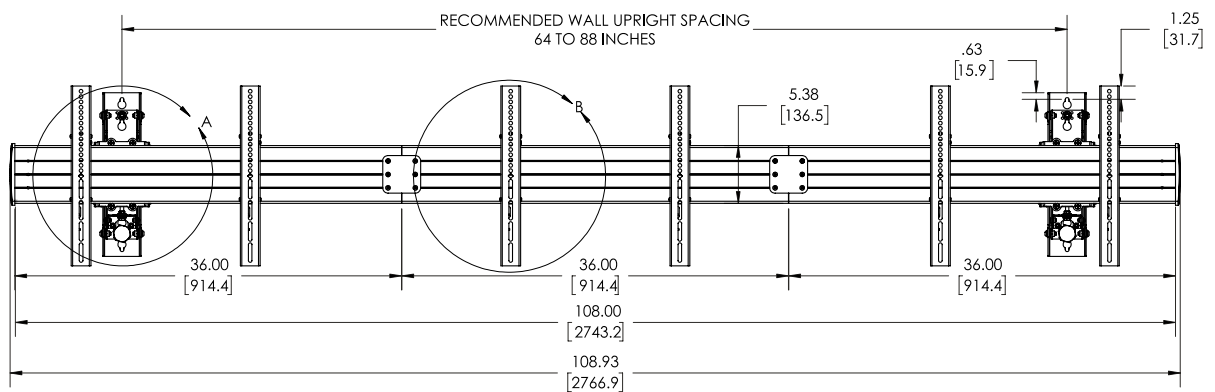
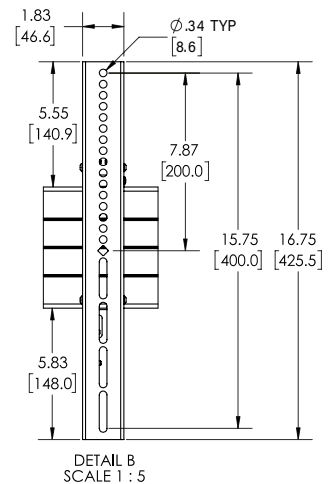
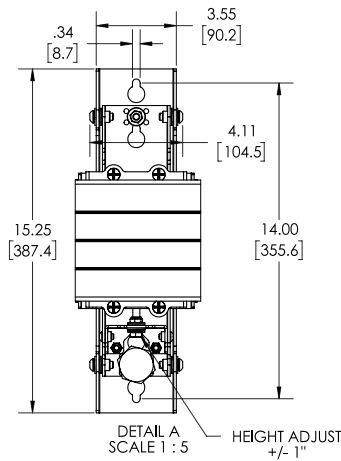
FUSION[®] WALL MOUNT SOLUTIONS

LWM2X1UP SPECIFICATIONS



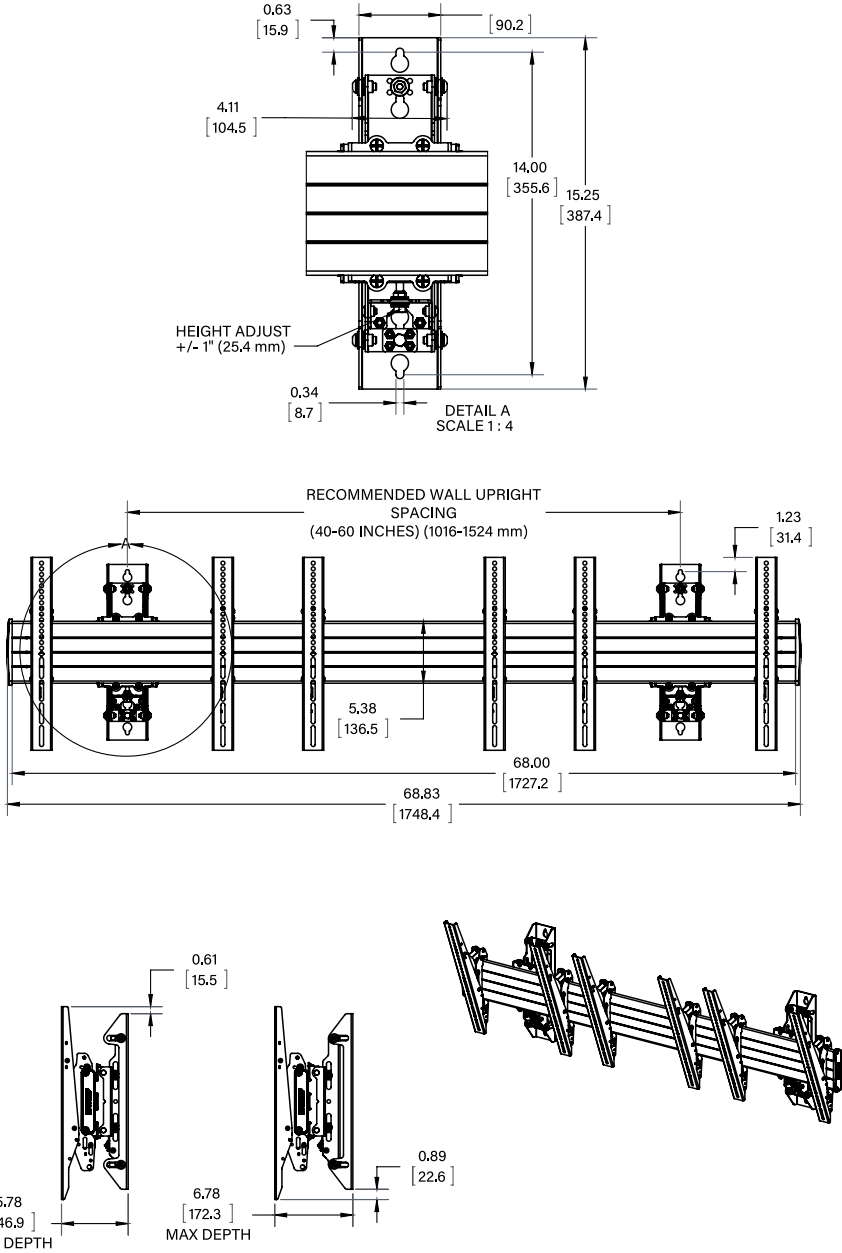
FUSION® WALL MOUNT SOLUTIONS

LWM3x1UM SPECIFICATIONS



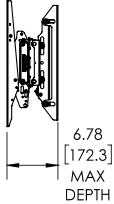
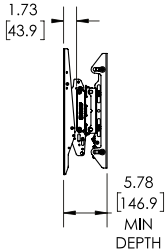
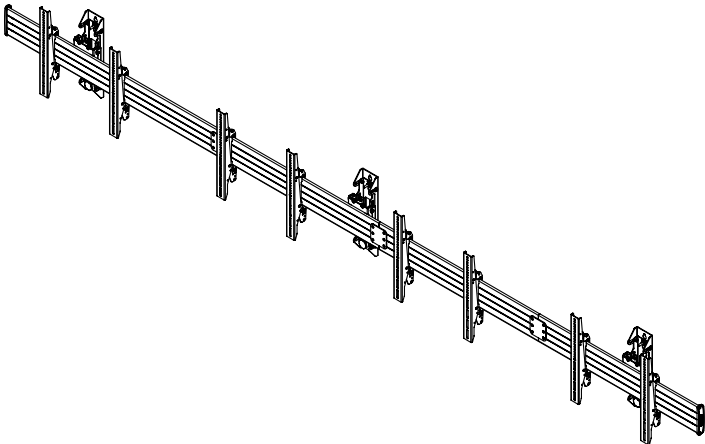
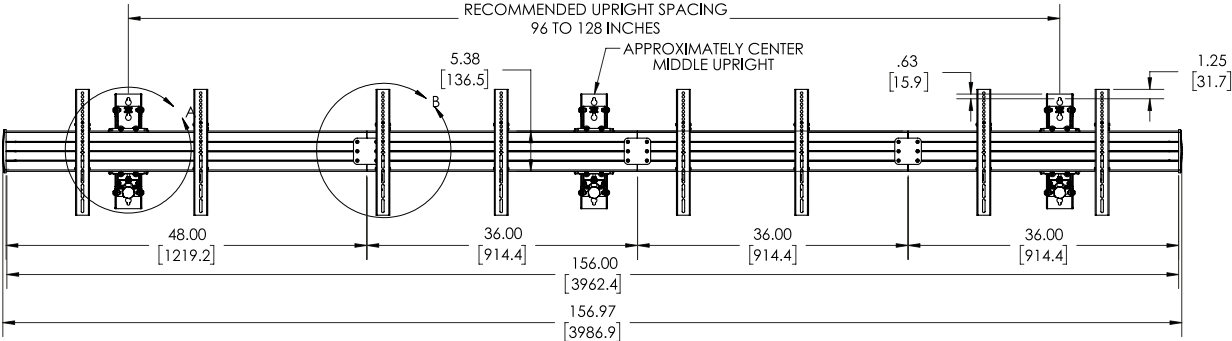
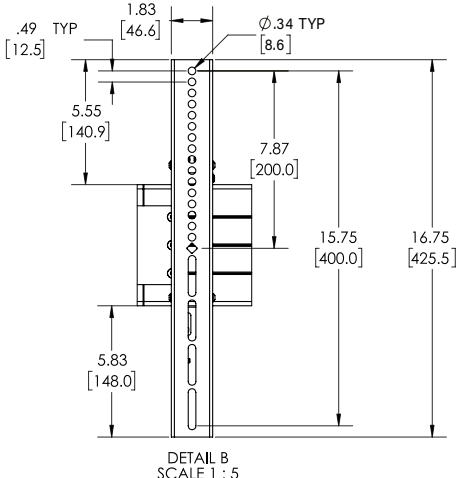
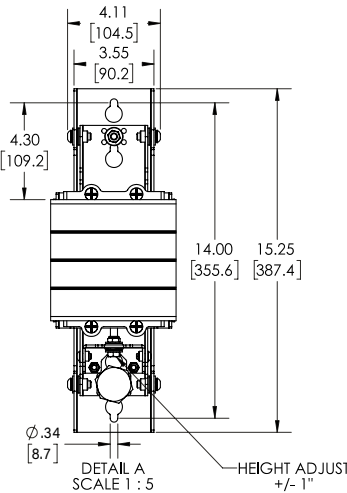
FUSION® WALL MOUNT SOLUTIONS

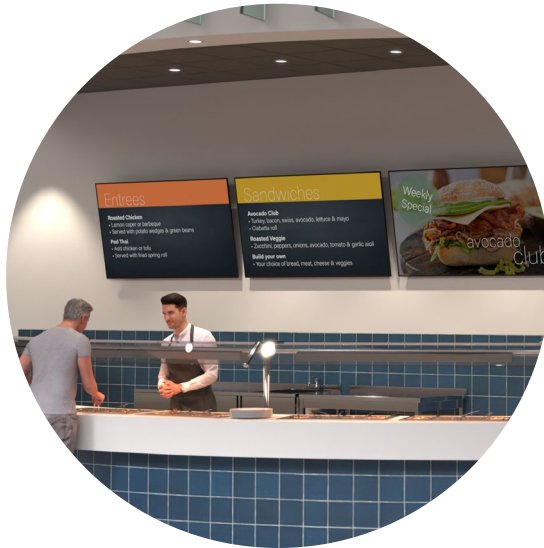
LWM3X1UP SPECIFICATIONS



FUSION® WALL MOUNT SOLUTIONS

LWM4x1UM SPECIFICATIONS





facebook.com/LegrandAV



youtube.com/legrand



linkedin.com/company/legrand-av



x.com/Legrandav

USA 866.977.3901 av.support@legrand.com

CANADA 877.345.4329 av.support@legrand.com

EMEA +31 495 580 840 av.emea.sales@legrand.com

APAC +852 2145 4099 av.asia.sales@legrand.com

C2G | CHIEF | DA-LITE | LUXUL | MIDDLE ATLANTIC | VADDIO | WIREMOLD

CHIEF[®]
A brand of  **legrand**

©2024 Legrand AV Inc. 24057w Rev A 7/24 Chief is a registered trademarks of Legrand AV Inc. All other brand names or marks are used for identification purposes and are trademarks of their respective owners. All patents are protected under existing designations. Other patents pending.