

Hisense
INSIDE



SALAMANDER DESIGNS

UST PROJECTOR INTEGRATED CABINETS

DESIGNED FOR HISENSE PX1

salamanderdesigns.com/hisense

*Shown with optional tube base

Seamless Stealthy Solution For Virtually Any Decor

A simple installation with no need to open the wall or ceiling to run cables. All supporting components can be enclosed in the credenza to provide a beautiful and simple solution.



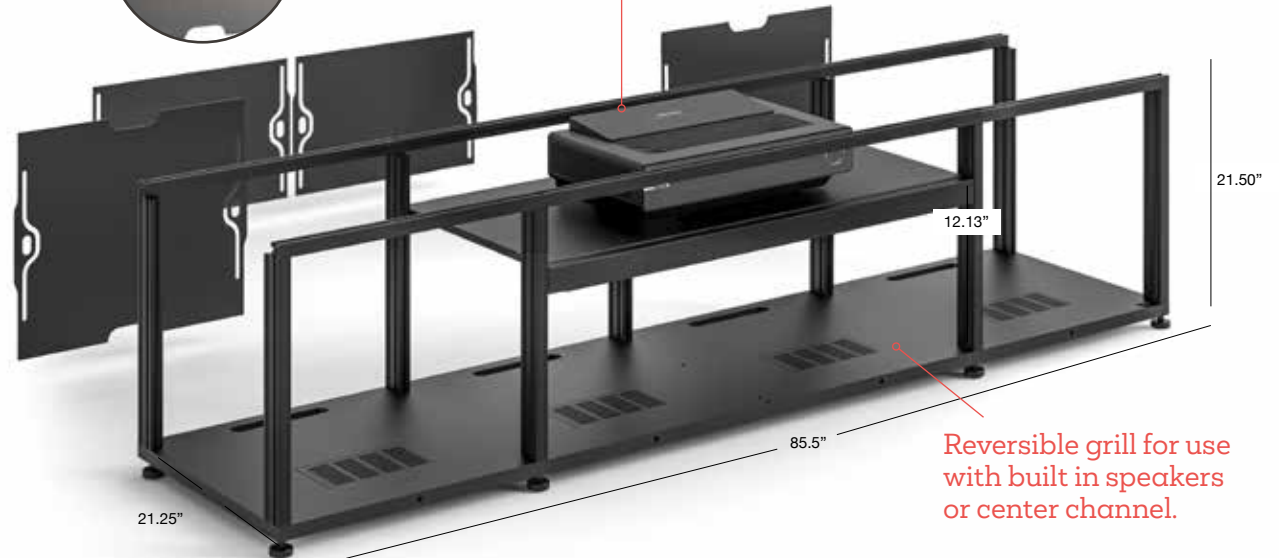
Designed for Hisense PX1-PRO
Trichroma Laser Cinema

Features:

- Flush top surface, recessed projector cavity design
- Extruded aluminum frame creates a support skeleton
- Pinch-out rear panels to permit fast, easy access to components and wiring
- Wide variety of bolt-on options, footing and accessories are available



Easy to Install
Optional Fan Kit
prevents heat build-up
with thermostically
controlled fans.



STYLES



CHICAGO

Black Oak, Grass Texture with
Black Solid Surface Top

X/HSEPX1/245/CH/BK



MIAMI

Gloss, Warm White with
Black Solid Surface Top

X/HSEPX1/245/MM/GW



OSLO

Black Glass Doors & Black Oak End Panel
with Black, Solid Surface Top

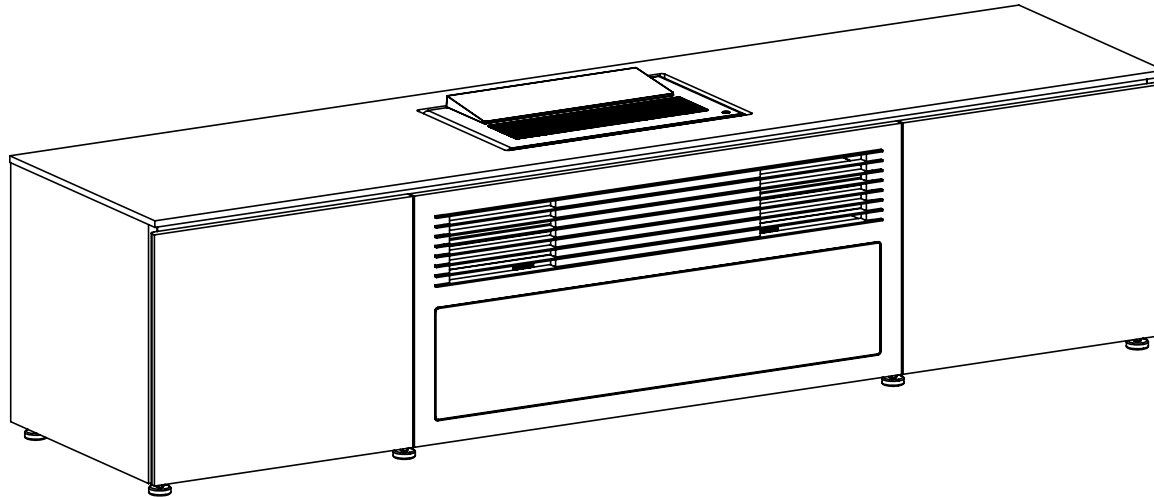

X/HSEPX1/245/OS/BB

Projector Sold Separately

© 2022 Salamander Designs Ltd. SalamanderDesigns.com/hisense | 800.535.9910 | v1122

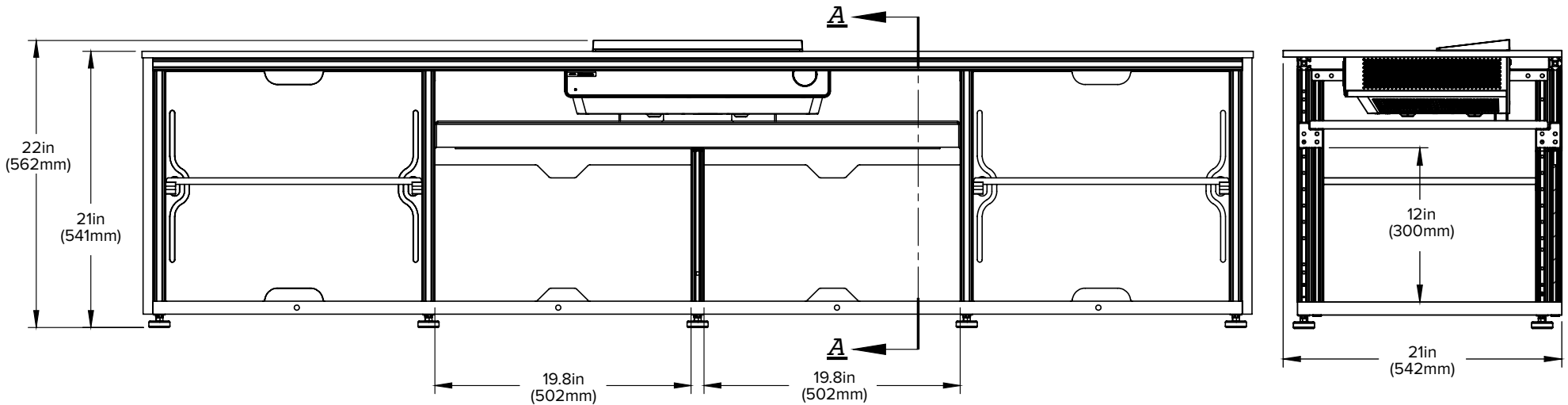


Salamander Cabinet Designed for Hisense PX1-PRO Trichroma Laser Cinema

**MIN & MAX
SCREEN SIZES**

120" Diagonal Image:
Place rear edge of cabinet
4" from projection surface.



Projector Sold Separately.

© 2022 Salamander Designs Ltd. The information and designs contained in this drawing proprietary of SALAMANDER DESIGNS and may NOT be reproduced. Specifications subject to change without notice.

SalamanderDesigns.com/commercial/hisense | 800.535.9910 | v1.22

