

Hisense
INSIDE



*Shown with optional tube base



SALAMANDER DESIGNS

UST PROJECTOR INTEGRATED CABINETS

DESIGNED FOR HISENSE 100L9G & 120L9G

salamanderdesigns.com/hisense

Seamless Stealthy Solution For Virtually Any Decor

A simple installation with no need to open the wall or ceiling to run cables. All supporting components can be enclosed in the credenza to provide a beautiful and simple solution.

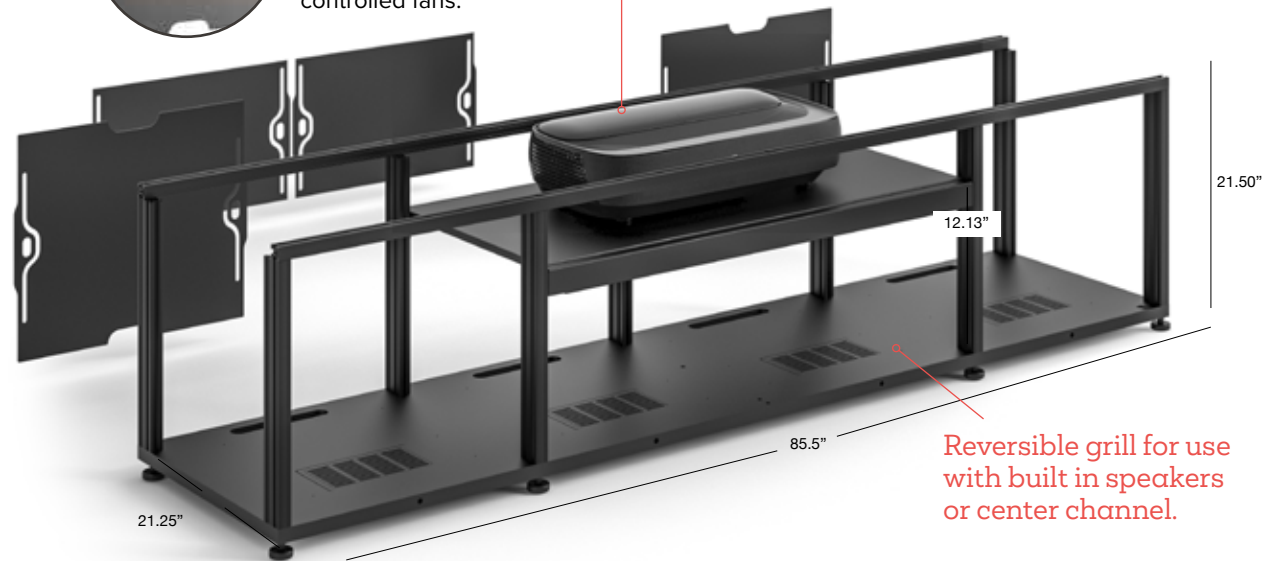
Designed for Hisense L9G Laser TV Series

Features:

- Flush top surface, recessed projector cavity design
- Extruded aluminum frame creates a support skeleton
- Pinch-out rear panels to permit fast, easy access to components and wiring
- Wide variety of bolt-on options, footing and accessories are available



**Easy to Install
Optional Fan Kit**
prevents heat build-up
with thermostically
controlled fans.



STYLES



CHICAGO – Black Oak, Grass Texture with Black Solid Surface Top
X/HSEL9/245CH/BK

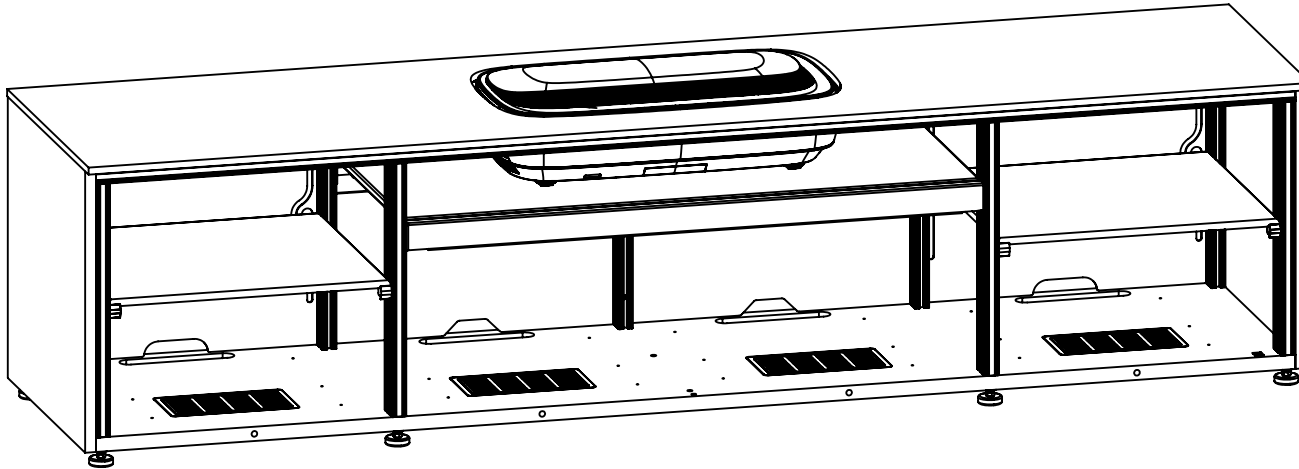


MIAMI – Gloss, Warm White with Black Solid Surface Top
X/HSEL9/245MM/BK



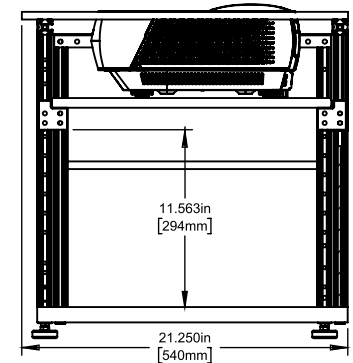
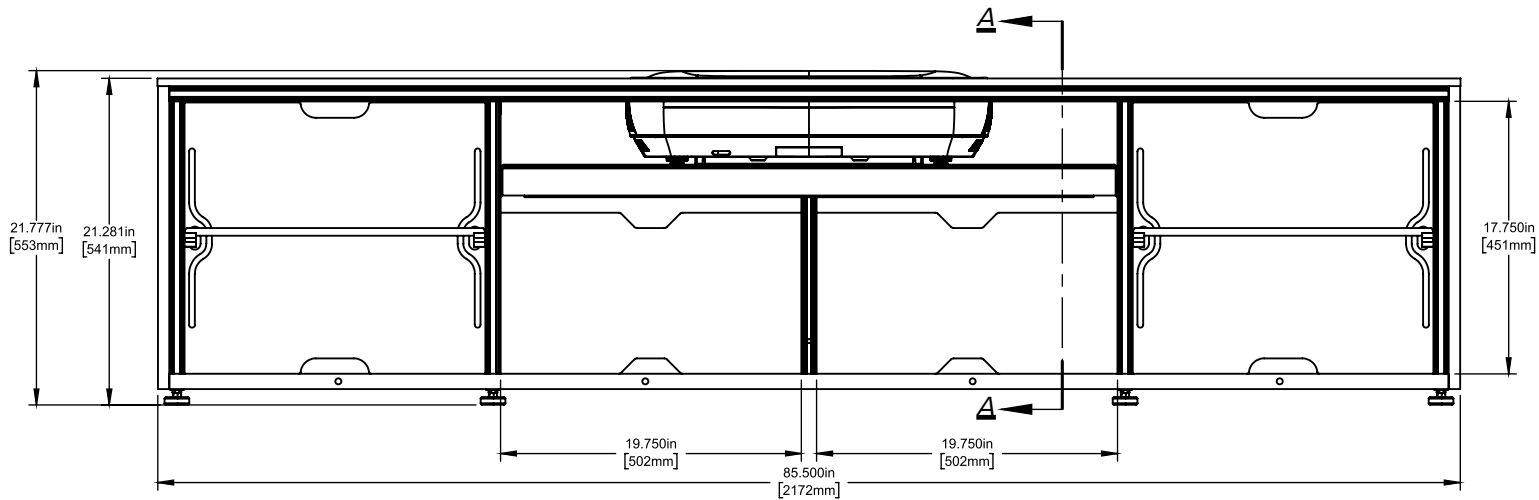
OSLO – Black Glass Doors & Black Oak End Panel with Black, Solid Surface Top
X/HSEL9/245OS/BK

Salamander Cabinet Designed for Hisense 100L9G & 120L9G 4K Triple-Laser Ultra Short Throw Laser TV Projector



**MIN & MAX
SCREEN SIZES**

- 100" Diagonal Image:**
Rear of cabinet 8" from screen
- 120" Diagonal Image:**
Rear of cabinet 10" from screen



SECTION A-A
SCALE 1:8

Projector Sold Separately.

© 2021 Salamander Designs Ltd. The information and designs contained in this drawing proprietary of SALAMANDER DESIGNS and may NOT be reproduced. Specifications subject to change without notice.

SalamanderDesigns.com/commercial/hisense | 800.535.9910 | v11.21

