



## 6 BAY LOW-PROFILE, WALL CABINET

**D1/367A/**

Low-profile, shallow depth cabinets are sleek, streamlined solutions for supporting AV/IT technology. Our innovative design conceals all equipment and cables, and simple installation allows them to be affixed to any wall without special preparation.

Available in a variety of styles.



**DYO**  
DESIGN YOUR OWN

See our **full-line catalog** for more customizable credenzas or visit [SalamanderDesigns.com/Commercial](http://SalamanderDesigns.com/Commercial).

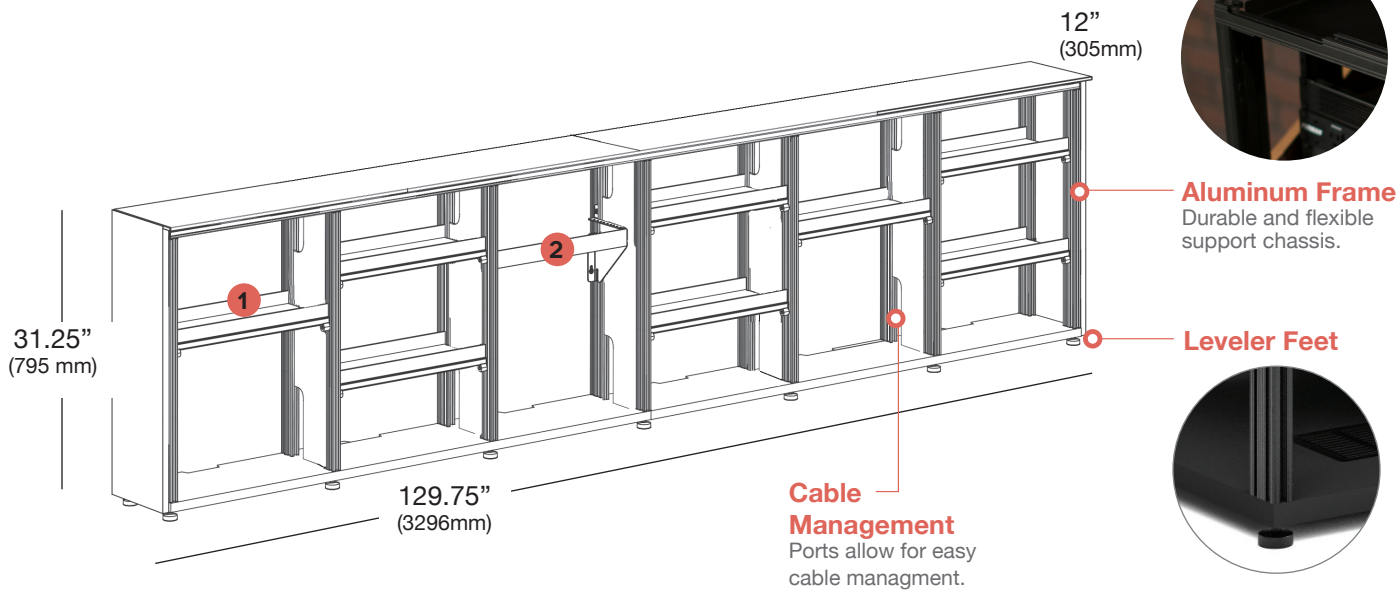




# 6 BAY, LOW-PROFILE WALL CABINET

D1/367A/

BUNDLE SOLUTIONS



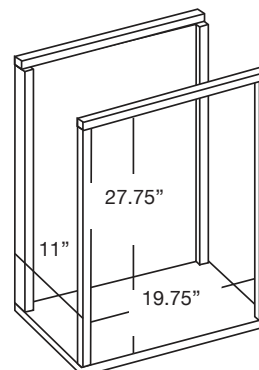
## \*CABINET INCLUDES:

1. (8) Adjustable Shelves and (12) Shelf Stops
2. (1) 3-U Vertical Rack

*\* Due to standard shipping constraints, cabinet ships as two cabinets with instructions to easily fasten. Special freight arrangements can be made to ship completely assembled.*

## Typical Interior Bay Dimensions:

19.75"W (502 mm) x 27.75"H (705 mm) x 11"D (495 mm)





# 6 BAY, LOW-PROFILE WALL CABINET

D1/367A/

BUNDLE SOLUTIONS

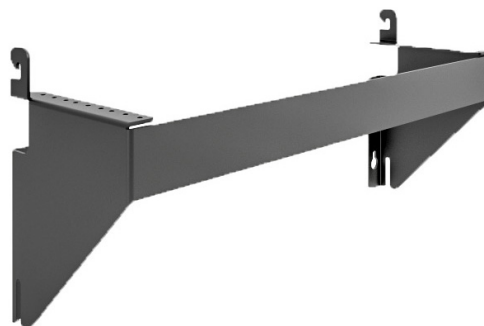
## INTERIOR STORAGE

### Adjustable Trays

- Measures: 19.75"W (502mm) x 7.875"D (200mm) x 1.5"H (38mm)
- Maximum Weight Capacity of 30 lbs (13.6 kgs)
- Constructed of 1/2" (12mm) MDF
- Shelves can be used flat or add a backstop or two to convert shelves to adjustable trays.
- Includes 8 Adjustable Trays and 12 shelf stops.

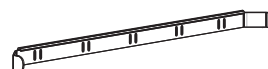


- Rack is mounted to cabinet frame, for industry standard 19" pro audio rack mounting
- 3 rack units of vertical mounted, knob up component storage
- Threaded for 10-32 screws
- Black powder coated steel



Length	572 mm	22.5 inch
Overall Height	419 mm	16.5 inch
Depth	190.5 mm	7.5 inch
Weight	3.63 kg	8 lbs
Capacity	81 kg	40 lbs

**Wire Lacing Bars Available**  
RM/VR/3U





# 6 BAY, LOW-PROFILE WALL CABINET

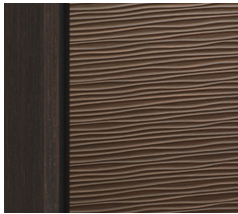
D1/367A/

BUNDLE SOLUTIONS

## STYLES

We select the finest materials and finishes. Choose from sleek, hand-polished, high-gloss finishes to richly textured real wood fronts. All styles come with standard leveler feet.

If you are looking for something different or special please contact us to discuss custom options.



**BERLIN\***  
Wenge,  
Wave-Texture Doors



**CHICAGO\***  
Black Oak,  
Grass-Textured Doors



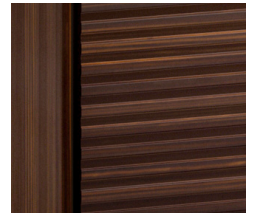
**DENVER – OAK\***  
Natural Oak,  
Bark-Textured Doors



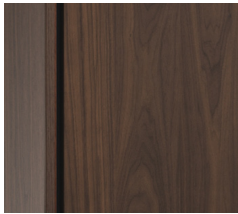
**DENVER – WALNUT\***  
Medium Walnut,  
Bark-Textured Doors



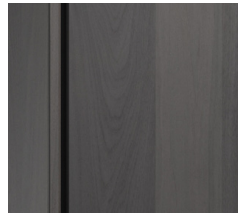
**SEATTLE\***  
Gray Oak,  
Bark-Textured Doors



**ZURICH\***  
Opium Brown,  
Linear Texture Doors



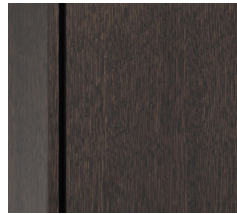
**SIENNA\***  
Medium Walnut,  
Flat-Front  
Wood Doors



**SIENNA\***  
Gray Walnut,  
Flat-Front  
Wood Doors



**SIENNA\***  
Black Oak,  
Flat-Front  
Wood Doors



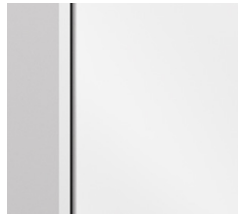
**SIENNA\***  
Wenge Oak,  
Flat-Front  
Wood Doors



**SIENNA\***  
Natural Oak,  
Flat-Front  
Wood Doors



**MILAN\***  
Dimensional, Diamond  
Pattern, White



**MIAMI\***  
Gloss Warm White