



**SALAMANDER**  
DESIGNS

Furniture Shaped By Your Needs ®

**COLLABORATION FURNITURE**

**BUNDLE SOLUTIONS**



## 3 BAY, EZ-TOUCH LIFT MOUNT LOW-PROFILE, WALL CABINET

**D1/337AL/**

Low-profile, shallow depth cabinets are sleek, streamlined solutions for supporting AV/IT technology. Our innovative design conceals all equipment and cables, and simple installation allows them to be affixed to any wall without special preparation.

Available in a variety of styles.



**DYO**  
DESIGN YOUR OWN

See our **full-line catalog** for more customizable credenzas or visit [SalamanderDesigns.com/Commercial](http://SalamanderDesigns.com/Commercial).

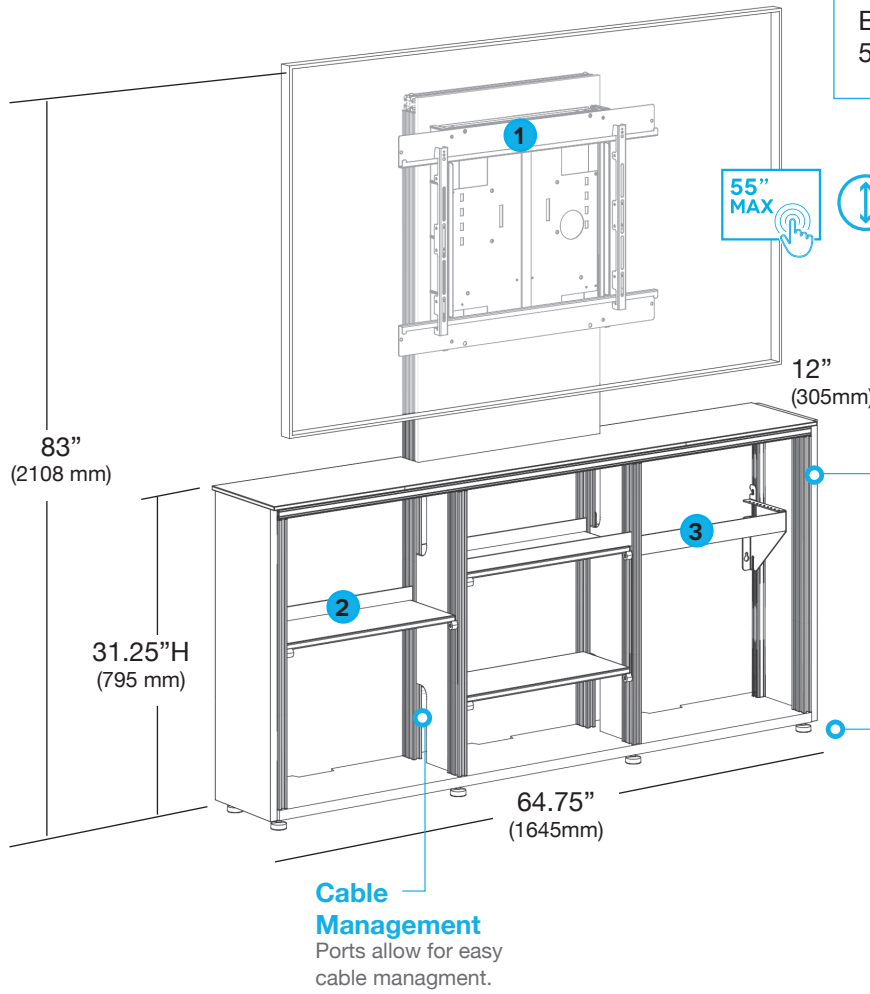




# 3 BAY, EZ-TOUCH LIFT, LOW-PROFILE WALL CABINET

D1/337AL/

BUNDLE SOLUTIONS



Center line of Screen:  
66" max (1676mm) - 50.5" min (1283mm)

Bottom of Screen:  
50" max (1270mm) - 34.5" min (876mm)

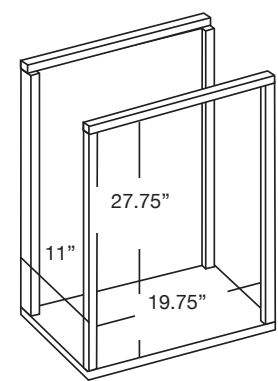


## CABINET INCLUDES:

1. (1) EZ-Touch Lift Monitor Mount
2. (3) Adjustable Shelves and (5) Shelf Stops
3. (1) 3-U Vertical Rack

## Typical Interior Bay Dimensions:

19.75"W (502 mm) x 27.75"H (705 mm) x  
11"D (279 mm)

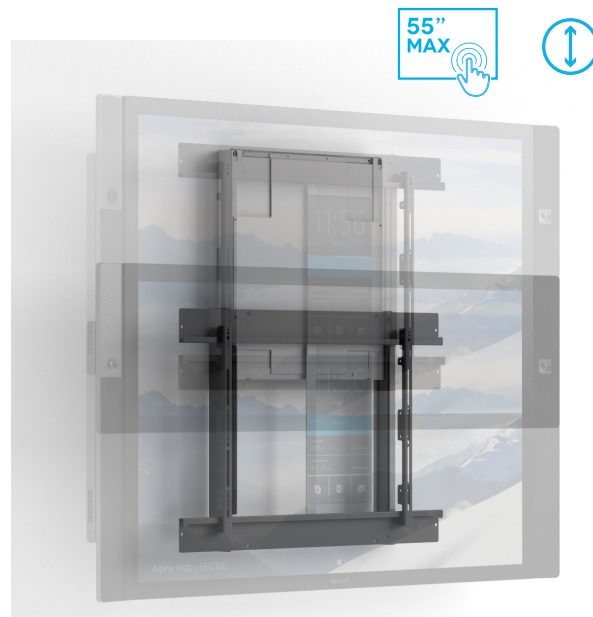




## VIDEO INTEGRATION

### EZ-Touch Lift Monitor Mount

- Adjustable counter-spring provides smooth, effortless and intuitive high-low transition
- Vesa Compliant: Horizontal 200 - 800mm, Vertical 100 - 440mm
- Holds up to 55", 48 - 61 lbs (22 - 27.6 kg)
- Vertical range is 15.7" (399mm)
- Extremely reliable; tested to 60,000 cycles or 10 years of usage
- Measures: 37.7"W (958mm) x 65"H (1626mm) x 6"D (152mm)
- Center line of Screen: 66"max (1676mm) - 50.5" min (1283mm)
- Bottom of Screen: 50"max (1270mm) - 34.5" min (876mm)



## INTERIOR STORAGE

### Adjustable Trays

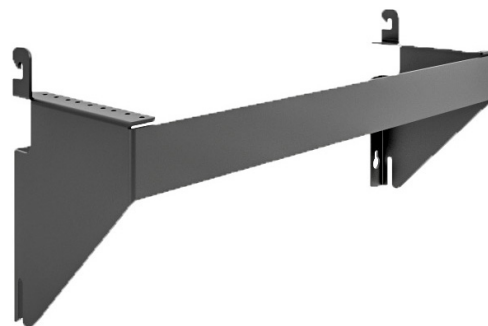
- Measures: 19.75"W (502mm) x 7.875"D (200mm) x 1.5"H (38mm)
- Maximum Weight Capacity of 30 lbs (13.6 kgs)
- Constructed of 1/2" (12mm) MDF
- Shelves can be used flat or add a backstop or two to convert shelves to adjustable trays.
- Includes 3 adjustable trays and 5 shelf stops.





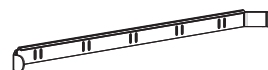
### 3-U VERTICAL RACK

- Rack is mounted to cabinet frame, for industry standard 19" pro audio rack mounting
- 3 rack units of vertical mounted, knob up component storage
- Threaded for 10-32 screws
- Black powder coated steel



Length	572 mm	22.5 inch
Overall Height	419 mm	16.5 inch
Depth	190.5 mm	7.5 inch
Weight	3.63 kg	8 lbs
Capacity	81 kg	40 lbs

Wire Lacing Bars Available  
RM/VR/3U





# 3 BAY, EZ-TOUCH LIFT, LOW-PROFILE WALL CABINET

D1/337AL/

BUNDLE SOLUTIONS

## STYLES

We select the finest materials and finishes. Choose from sleek, hand-polished, high-gloss finishes to richly textured real wood fronts. All styles come with standard leveler feet.

If you are looking for something different or special please contact us to discuss custom options.

### TEXTURED



**BERLIN**  
Wenge, Wave-Texture  
Doors with 1/2" (12mm) Black,  
Solid Surface  
D1/337AL/BL/WE



**CHICAGO**  
Black Oak, Grass-Textured  
Doors with 1/2" (12mm) Black,  
Solid Surface  
D1/337AL/CH/BO

### BLACK & WHITE



**OSLO**  
Black Oak Sides, Black Glass  
Doors with 1/2" (12mm) Black,  
Solid Surface  
D1/337AM2/OS/BG



**DENVER - OAK**  
Natural Oak, Bark-Textured  
Doors with 1/2" (12mm) Black,  
Solid Surface  
D1/337A/DV/NO



**DENVER - WALNUT**  
Medium Walnut, Bark-Textured  
Doors with 1/2" (12mm) Black,  
Solid Surface  
D1/337A/DV/MW



**MIAMI - BLACK**  
Gloss Warm White  
Doors with 1/2" (12mm) Black,  
Solid Surface  
D1/337A/MM/GW/BK



**ZURICH**  
Linear Texture - Opium Brown  
Doors with 1/2" (12mm) Black,  
Solid Surface  
D1/337A/ZU/OB



**MIAMI - WHITE**  
Gloss Warm White  
Doors with 1/2" (12mm) White  
Solid Surface  
D1/337A/MM/GW/WH