

Heckler

The classic point of sale stand for iPad.



WindFall Stand for iPad with PivotTable
For iPad 10th Generation
H750

Heckler

Create beautiful points of sale and points of service with our 10th Anniversary WindFall Stand. Put the power and versatility of Apple's 10th Generation iPad to work for you.

Features

Commercial grade steel construction.

Scratch-resistant and fingerprint-resistant powdercoat finish.

Hidden assembly screws.

Quick and easy assembly.

Includes Kensington ClickSafe anchor slots.

Includes sliding and friction foot options.

Includes PivotTable.

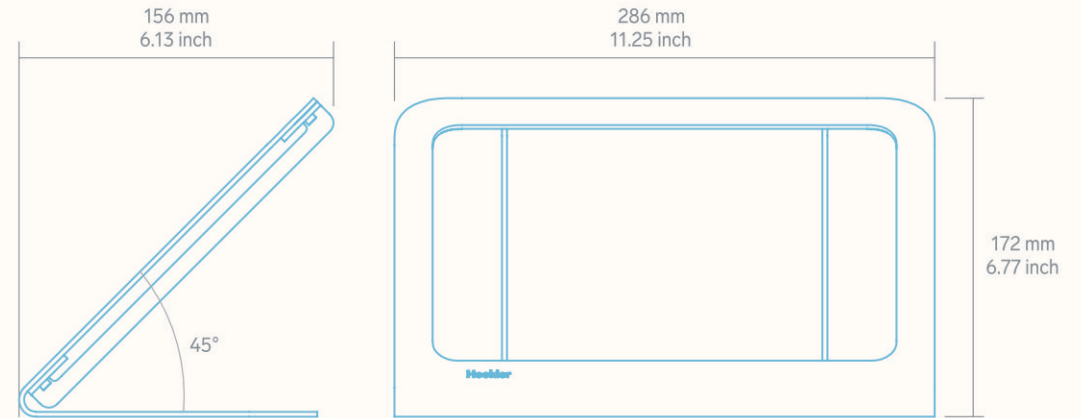
Compatible with PivotTack.



Heckler

Specifications

SKU	H750
Color	Black Grey (BG) White (WT)
Warranty	2 years
Product Dimension	11.25 x 6.77 x 6.13 inches (285.7 x 172 x 156 mm)
Product Weight	3.4 lbs (1.54kg)
Shipping Dimension	11.75 x 7.27 x 6.63 inches (299 x 185 x 168 mm)
Shipping Weight	4 lbs (1.81 kg)
Material	Powdercoated Steel
Country of Origin	US
In the box	WindFall Stand Assembly tool Friction feet Felt sliding feet PivotTable



For more information, contact
Heckler or your favorite Heckler
Authorized Dealer.

hecklerdesign.com
sales@hecklerdesign.com
(844) 432-5930

Heckler

The classic point of sale stand for iPad.



WindFall Stand for iPad
For iPad 10th Generation
H750X

Heckler

Create beautiful points of sale and points of service with our 10th Anniversary WindFall Stand. Put the power and versatility of Apple's 10th Generation iPad to work for you.

Features

Commercial grade steel construction.

Scratch-resistant and fingerprint-resistant powdercoat finish.

Hidden assembly screws.

Quick and easy assembly.

Includes Kensington ClickSafe anchor slots.

Includes sliding and friction foot options.

Compatible with PivotTable.

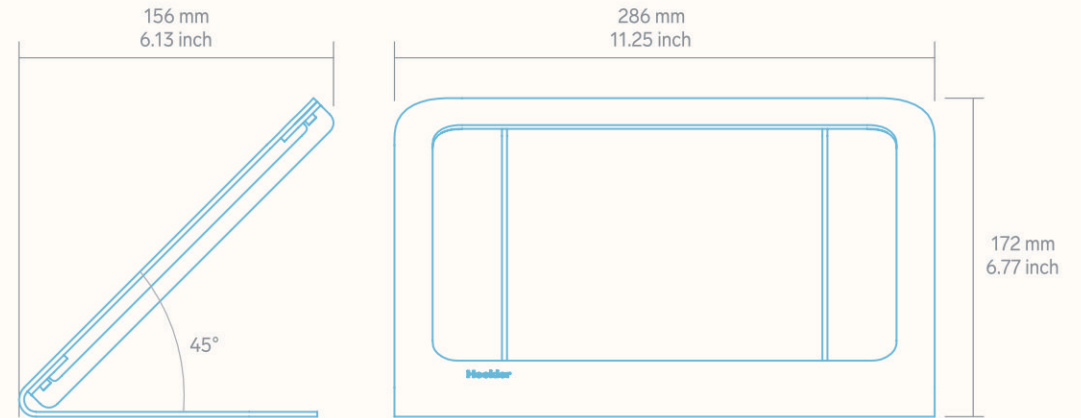
Compatible with PivotTack.



Heckler

Specifications

SKU	H750X
Color	Black Grey (BG) White (WT)
Warranty	2 years
Product Dimension	11.25 x 6.77 x 6.13 inches (285.7 x 172 x 156 mm)
Product Weight	3.4 lbs (1.54kg)
Shipping Dimension	11.75 x 7.27 x 6.63 inches (299 x 185 x 168 mm)
Shipping Weight	4 lbs (1.81 kg)
Material	Powdercoated Steel
Country of Origin	US
In the box	WindFall Stand Assembly tool Friction feet Felt sliding feet



For more information, contact
Heckler or your favorite Heckler
Authorized Dealer.

hecklerdesign.com
sales@hecklerdesign.com
(844) 432-5930

Heckler

Control your meetings with the power of iPad.



Zoom Rooms Console for iPad
For iPad 10th Generation
H751

Heckler

Designed in collaboration with the Zoom team specifically to control Zoom Rooms, this striking hardware enables you to use iPad without compromise. Sleek look, commercial-grade construction, beautiful finish, theft resistance, and optional PoE power with Ethernet networking combine to produce an object you'd be proud to place between your CEO and your biggest client.

Features

Commercial grade steel construction.

Scratch-resistant and fingerprint-resistant powdercoat finish.

Includes integrated strain relief.

Audio ports enable Zoom Rooms Direct Share contact sharing.

Tamper-resistant assembly hardware

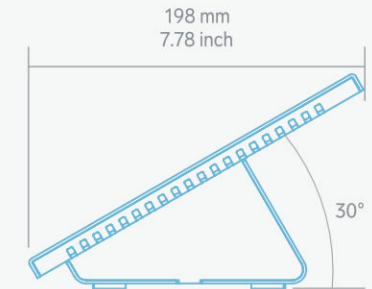
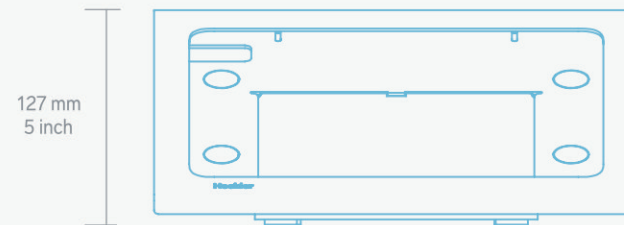
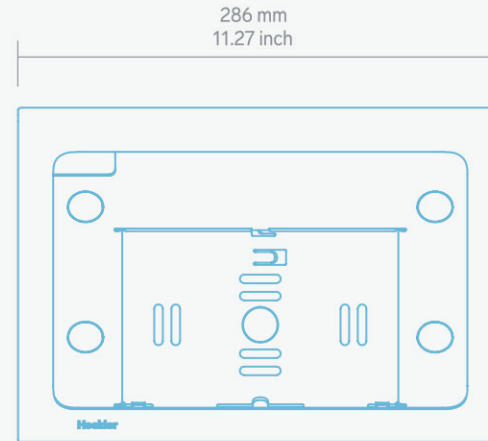
Fully enclosed, with no front-facing assembly hardware.



Heckler

Specifications

SKU	H751
Color	Black Grey (BG)
Warranty	2 years
Product Dimension	11.27 x 7.78 x 5 inches (286 x 198 x 127 mm)
Product Weight	3.9 lbs (1.77kg)
Shipping Dimension	11.77 x 8.28 x 5.5 inches (299 x 210 x 140 mm)
Shipping Weight	4.4 lbs (2 kg)
Material	Powdercoated Steel
Country of Origin	US
In the box	Zoom Rooms Console for iPad Right-angle USB-C adapter Assembly tool



For more information, contact
Heckler or your favorite Heckler
Authorized Dealer.

hecklerdesign.com
sales@hecklerdesign.com
(844) 432-5930

Heckler

Control your meetings with the power of iPad.



Zoom Rooms Console Bundle for iPad
For iPad 10th Generation
H752

Heckler

Designed in collaboration with the Zoom team specifically to control Zoom Rooms, this striking hardware enables you to use iPad without compromise. Sleek look, commercial-grade construction, beautiful finish, theft resistance, and included PoE power with Ethernet networking combine to produce an object you'd be proud to place between your CEO and your biggest client.

Features

Commercial grade steel construction.

Scratch-resistant and fingerprint-resistant powdercoat finish.

Includes integrated strain relief.

Audio ports enable Zoom Rooms Direct Share contact sharing.

Tamper-resistant assembly hardware

Fully enclosed, with no front-facing assembly hardware.

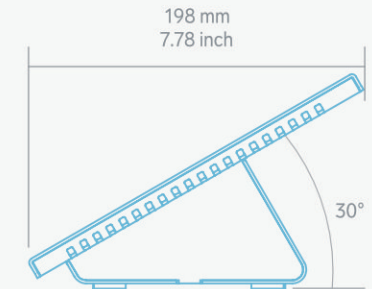
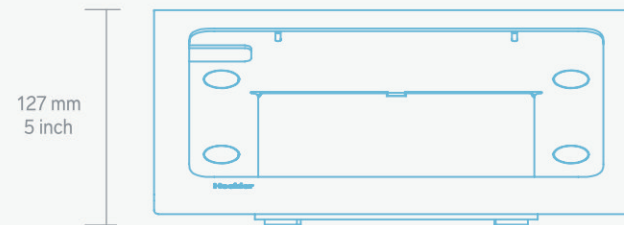
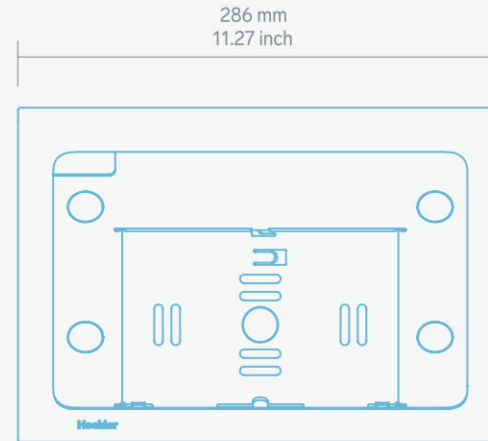
Includes PoE & Ethernet adapter.



Heckler

Specifications

SKU	H752
Color	Black Grey (BG)
Warranty	2 years
Product Dimension	11.27 x 7.78 x 5 inches (286 x 198 x 127 mm)
Product Weight	3.9 lbs (1.77kg)
Shipping Dimension	11.77 x 8.28 x 5.5 inches (299 x 210 x 140 mm)
Shipping Weight	4.4 lbs (2 kg)
Material	Powdercoated Steel
Country of Origin	US
In the box	Zoom Rooms Console for iPad Right-angle USB-C adapter Assembly tool PoE & Ethernet adapter



For more information, contact
Heckler or your favorite Heckler
Authorized Dealer.

hecklerdesign.com
sales@hecklerdesign.com
(844) 432-5930

Heckler

Room Scheduling with the power of iPad.



Side Mount for iPad
For iPad 10th Generation
H753

Heckler

When mounted outside your meeting spaces, iPad 10th generation creates an impressive and modern room scheduler with all the power and capabilities of iPadOS.

Features

Commercial grade steel construction.

Scratch-resistant and fingerprint-resistant powdercoat finish.

Hidden adapter pocket fits a wide selection of popular PoE & Ethernet adapters.

Mounts to the side face of aluminum mullions. Ideal for conventional glass wall systems with at least 1.5 inches of glass set-back relative to the front of the mullion.

Backward compatible mounting-hole pattern to legacy Heckler mounts.

Fully enclosed, with no front-facing assembly hardware.

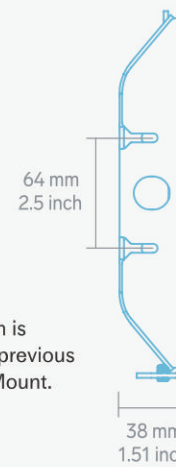
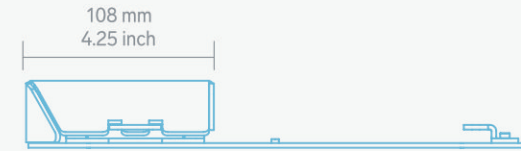


Heckler

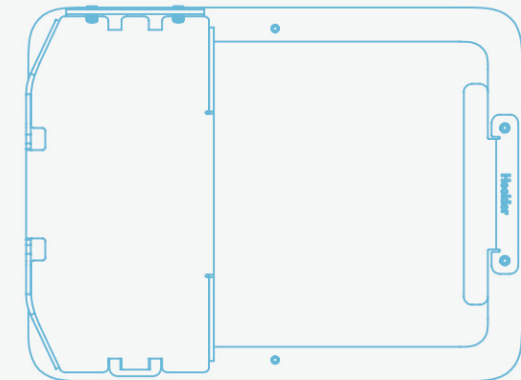
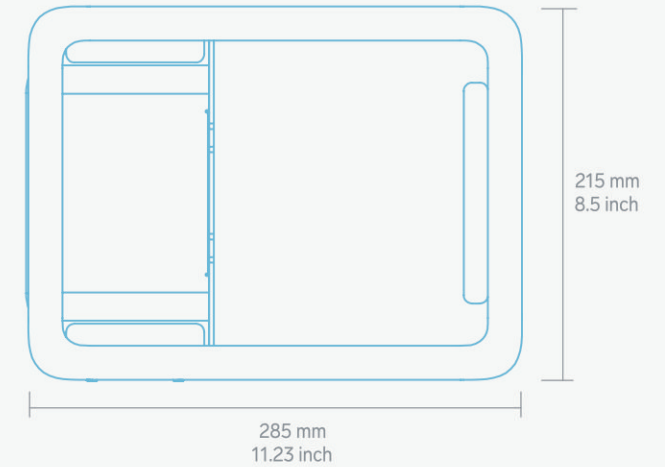
Specifications

SKU	H753
Color	Black Grey (BG)
Warranty	2 years
Product Dimension	11.23 x 8.46 x 1.52 inches (285 x 215 x 39 mm)
Product Weight	2.7 lbs (1.2 kg)
Shipping Dimension	11.73 x 8.96 x 2.15 inches (298 x 228 x 55 mm)
Shipping Weight	3.2 lbs (1.5 kg)
Material	Powdercoated Steel
Country of Origin	US
In the box	Side Mount for iPad Right-angle USB-C adapter Assembly tool Mounting hardware

Storage pocket fits power and networking adapters up to 4.5 x 4 x 1 inches in size.



*The hole pattern is compatible with previous models of Side Mount.



For more information, contact
Heckler or your favorite Heckler
Authorized Dealer.

hecklerdesign.com
sales@hecklerdesign.com
(844) 432-5930

Heckler

Room Scheduling with the power of iPad.



Front Mount for iPad
For iPad 10th Generation
H754

Heckler

When mounted outside your meeting spaces, iPad 10th generation creates an impressive and modern room scheduler with all the power and capabilities of iPadOS.

Features

Commercial grade steel construction.

Scratch-resistant and fingerprint-resistant powdercoat finish.

Hidden adapter pocket fits a wide selection of popular PoE & Ethernet adapters.

Mounts to the front face of aluminum mullions. Ideal for flush-glass wall systems.

Backward compatible mounting-hole pattern to legacy Heckler mounts.

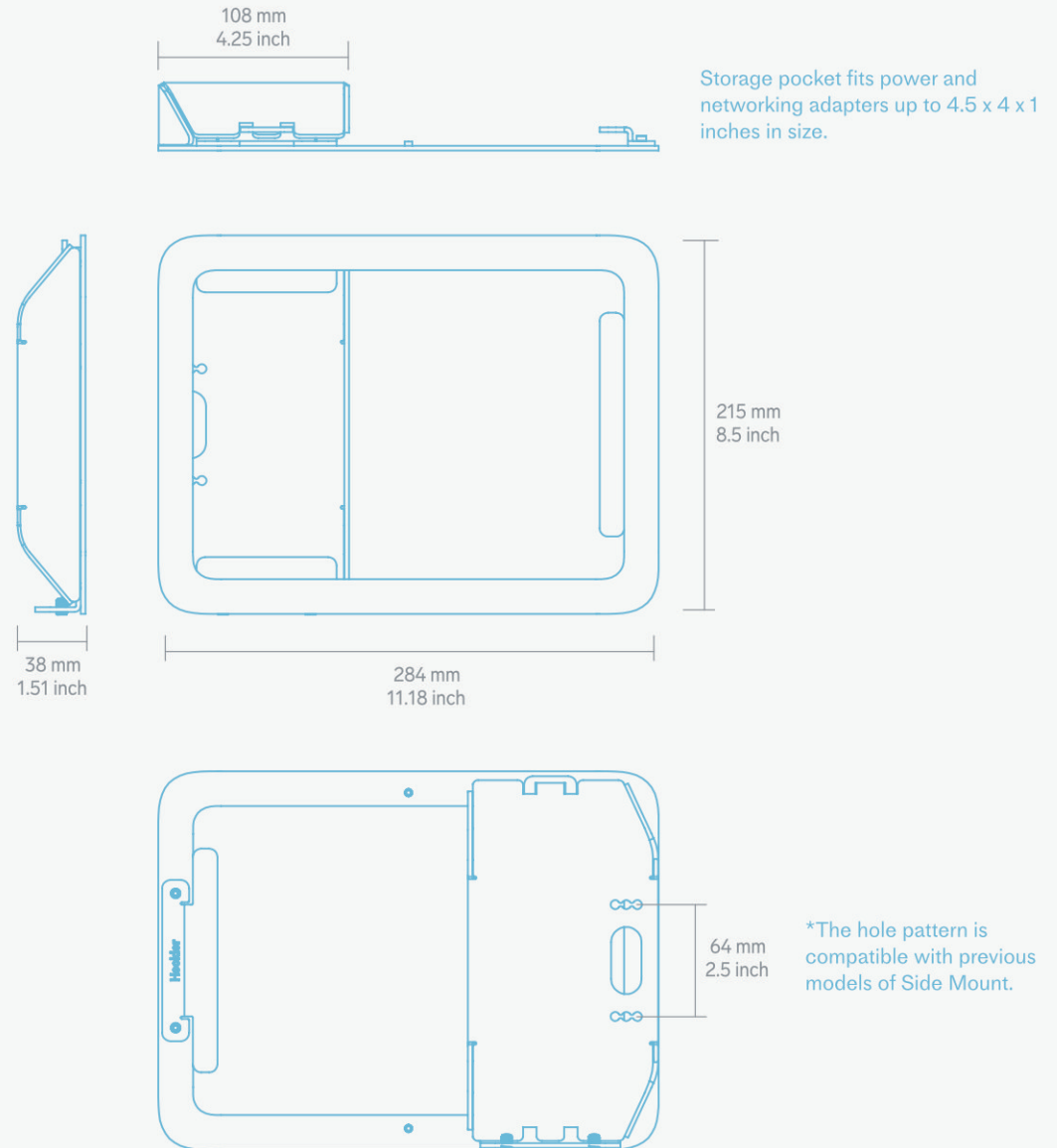
Fully enclosed, with no front-facing assembly hardware.



Heckler

Specifications

SKU	H754
Color	Black Grey (BG)
Warranty	2 years
Product Dimension	11.18 x 8.46 x 1.52 inches (284 x 215 x 39 mm)
Product Weight	2.7 lbs (1.2 kg)
Shipping Dimension	11.73 x 8.96 x 2.15 inches (298 x 228 x 55 mm)
Shipping Weight	3.2 lbs (1.5 kg)
Material	Powdercoated Steel
Country of Origin	US
In the box	Front Mount for iPad Right-angle USB-C adapter Assembly tool Mounting hardware



For more information, contact
Heckler or your favorite Heckler
Authorized Dealer.

hecklerdesign.com
sales@hecklerdesign.com
(844) 432-5930

Heckler

Commercial-grade wall installations for iPad.

Wall Mount MX for iPad
For iPad 10th Generation
H755



Heckler

For restaurant delivery management, home automation, and visitor registration - Wall Mount MX for iPad features a sleek and slim profile and options for POE+ power delivery and Ethernet data connectivity.

Features

Sleek and slim profile.

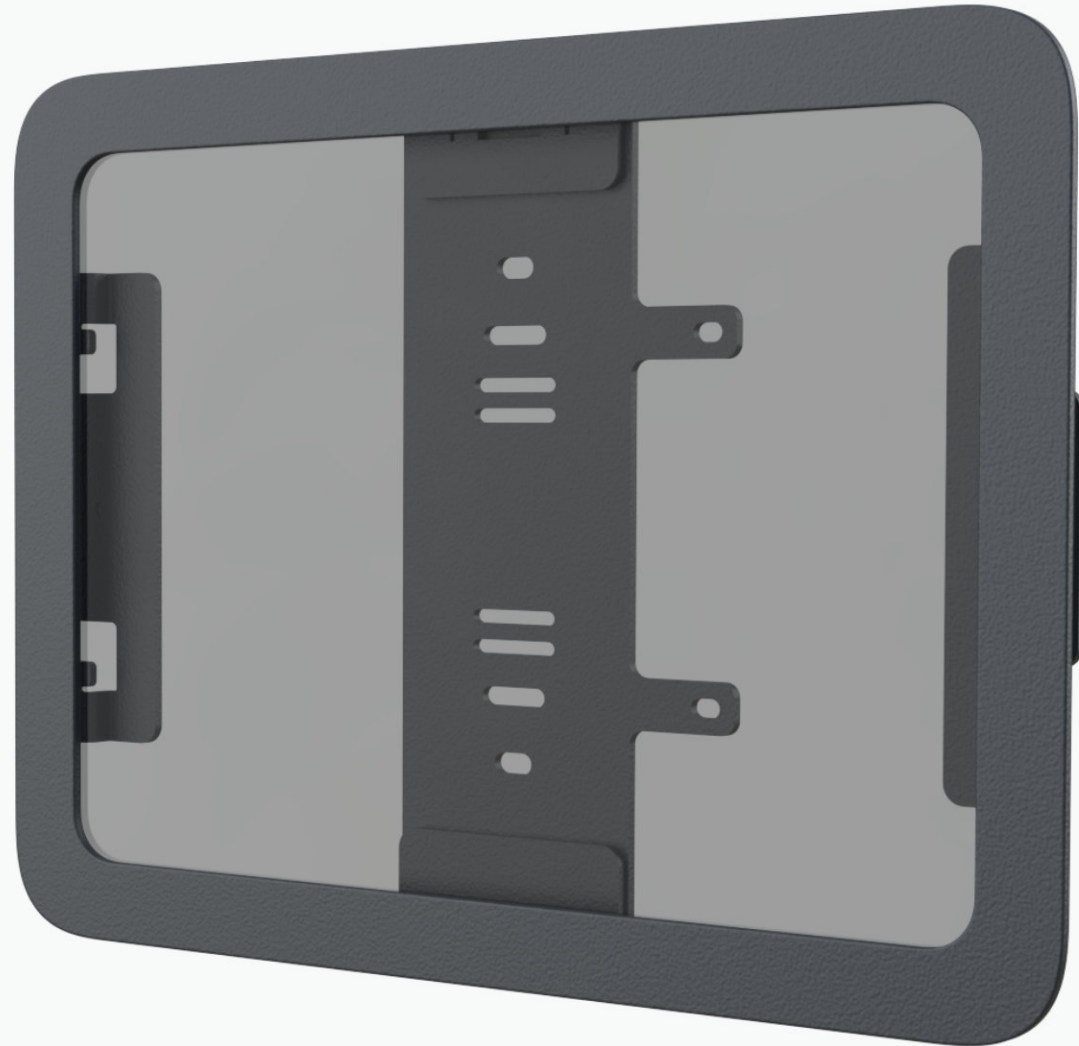
Commercial grade steel construction.

Scratch-resistant and fingerprint-resistant powdercoat finish.

Mounts directly to drywall, or single and double gang boxes.

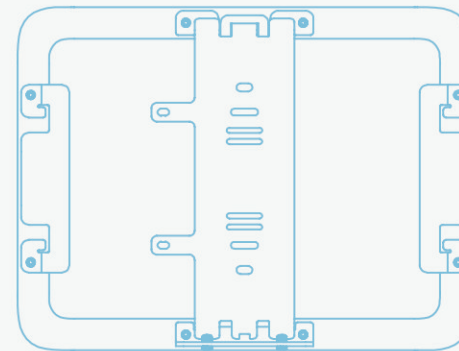
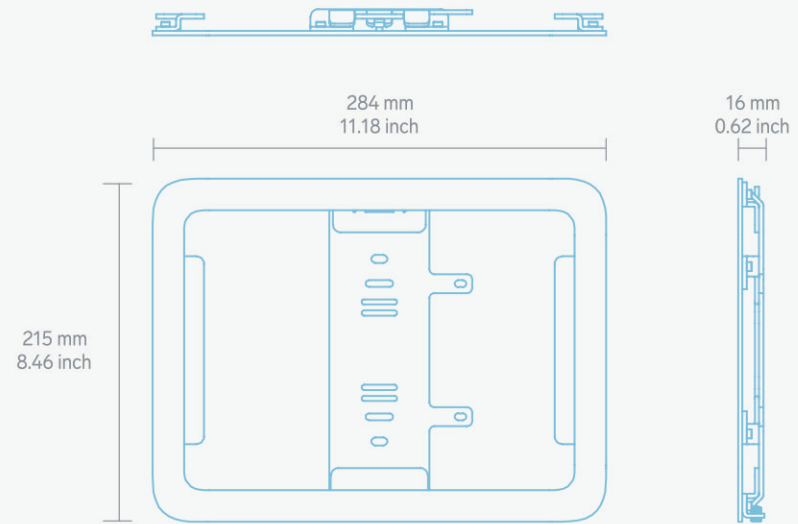
Buttons, speakers, and microphones remain accessible.

Fully enclosed, with no front-facing assembly hardware.



Specifications

SKU	H755
Color	Black Grey (BG)
Warranty	2 years
Product Dimension	11.18 x 8.46 x 0.62 inches (284 x 215 x 16 mm)
Product Weight	2 lbs (0.9 kg)
Shipping Dimension	11.73 x 8.96 x 2.15 inches (298 x 228 x 55 mm)
Shipping Weight	2.5 lbs (1.1 kg)
Material	Powdercoated Steel
Country of Origin	US
In the box	Wall Mount MX for iPad Right-angle USB-C adapter Assembly tool Mounting hardware



For more information, contact
Heckler or your favorite Heckler
Authorized Dealer.

hecklerdesign.com
sales@hecklerdesign.com
(844) 432-5930

Heckler

Quickly deploy iPad on any wall.

OnWall Mount for iPad
For iPad 10th Generation
H756



Heckler

Install the capabilities of iPad 10th Generation to any wall without the need for a gangbox installation or extensive wall damage.

Features

Commercial grade steel construction.

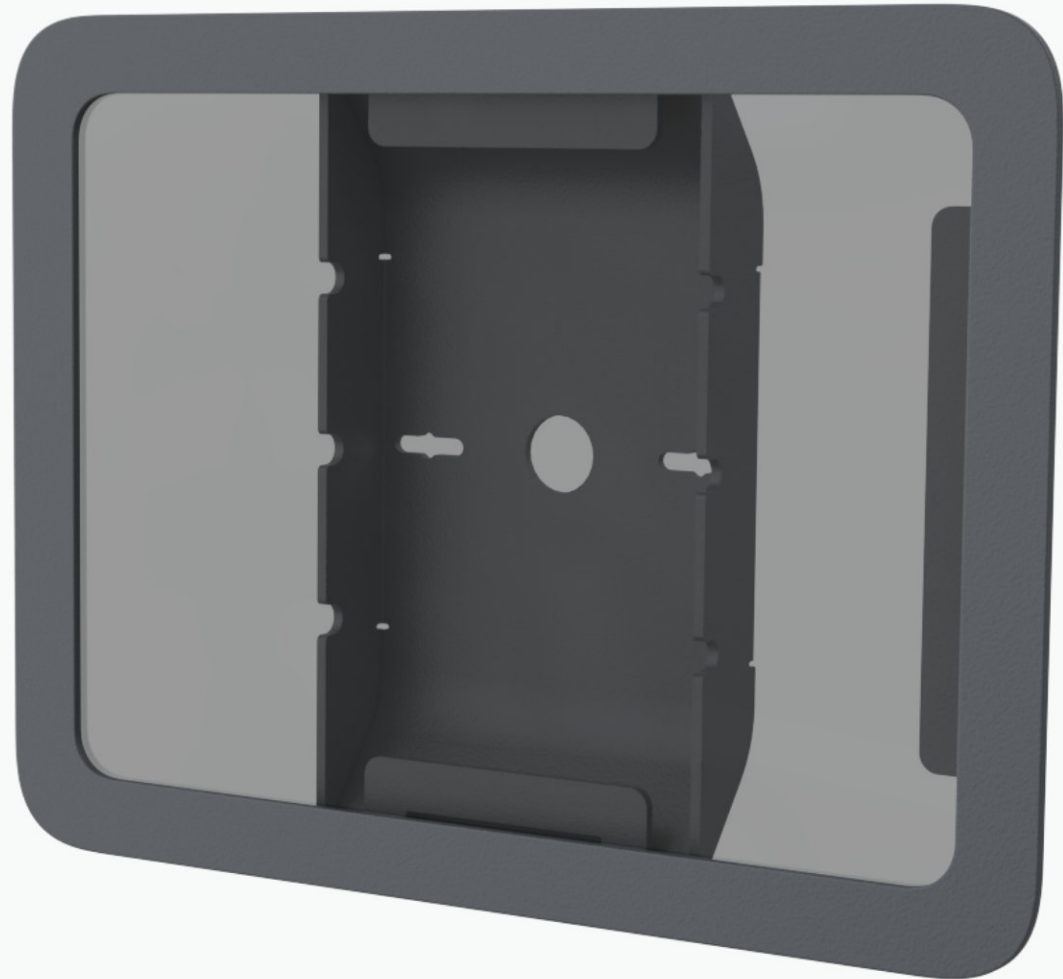
Scratch-resistant and fingerprint-resistant powdercoat finish.

Hidden adapter pocket fits a wide selection of popular PoE & Ethernet adapters.

Requires no gangbox installation or in-wall power adapter storage. A complete forward-of-the-wall iPad mounting solution.

Minimal drywall damage. Only two drywall anchor holes and one CAT cable hole required.

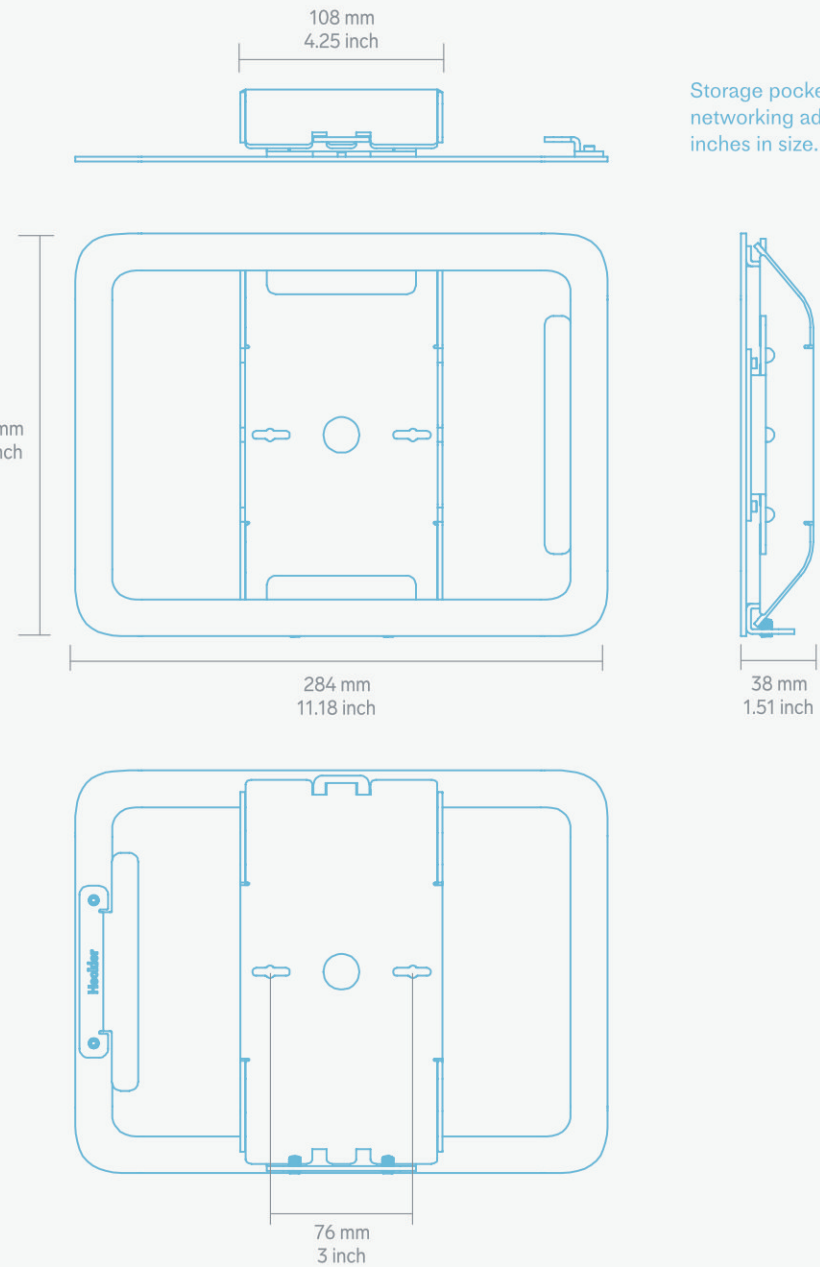
Fully enclosed, with no front-facing assembly hardware.



Heckler

Specifications

SKU	H756
Color	Black Grey (BG)
Warranty	2 years
Product Dimension	11.18 x 8.46 x 1.51 inches (284 x 215 x 38 mm)
Product Weight	2.7 lbs (1.2 kg)
Shipping Dimension	11.73 x 8.96 x 2.15 inches (298 x 228 x 55 mm)
Shipping Weight	3.2 lbs (1.5 kg)
Material	Powdercoated Steel
Country of Origin	US
In the box	OnWall Mount for iPad Right-angle USB-C adapter Assembly tool Mounting hardware



**For more information, contact
Heckler or your favorite Heckler
Authorized Dealer.**

**hecklerdesign.com
sales@hecklerdesign.com
(844) 432-5930**

Heckler

Build powerful computing solutions with iPad.

VESA Mount for iPad
For iPad 10th Generation
H757



Heckler

iPad devices are more powerful and more useful than ever. Mount them perfectly over your desk or within an open room to enable exciting new experiences. With VESA display arms and Heckler VESA Mount for iPad you can communicate and create in all-new ways.

Features

Commercial grade steel construction.

Scratch-resistant and fingerprint-resistant powdercoat finish.

Hidden assembly screws.

Keeps cameras, microphones, and button accessible and functional.

Compatible with VESA 100 pattern.

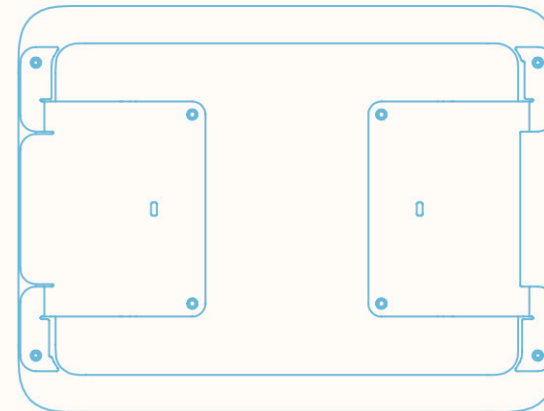
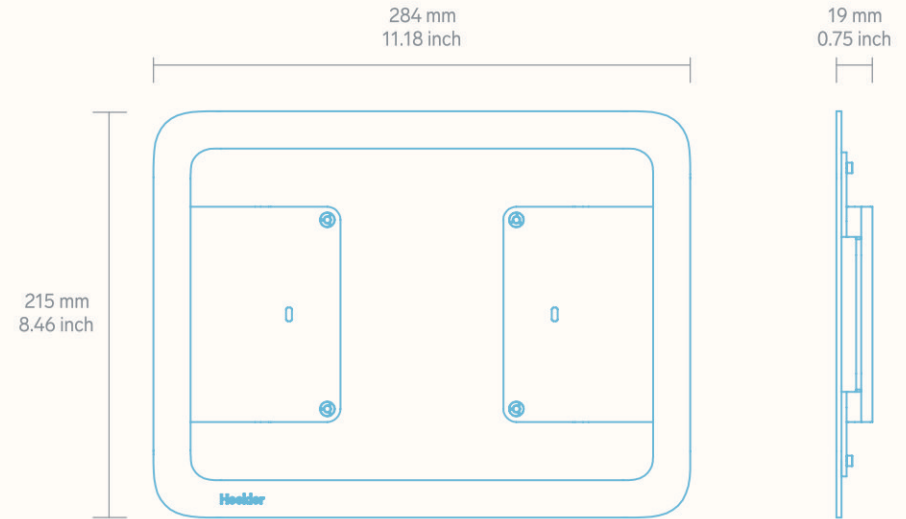
Includes Kensington Security Slots



Heckler

Specifications

SKU	H757
Color	Black Grey (BG)
Warranty	2 years
Product Dimension	11.18 x 8.46 x 0.75 inches (284 x 215 x 19 mm)
Product Weight	1.9 lbs (0.86kg)
Shipping Dimension	11.75 x 7.27 x 6.63 inches (299 x 185 x 168 mm)
Shipping Weight	2.4 lbs (1.1 kg)
Material	Powdercoated Steel
Country of Origin	US
In the box	VESA Mount for iPad Assembly tool Mounting hardware



For more information, contact
Heckler or your favorite Heckler
Authorized Dealer.

hecklerdesign.com
sales@hecklerdesign.com
(844) 432-5930

Heckler

Create points of service and signage with iPad.



Stand Portrait for iPad
For iPad 10th Generation
H759

Heckler

Stand Portrait for iPad 10th Generation secures your device for use as a gorgeous digital display or point-of-service. Steel mounting brackets secure your iPad without covering up any buttons, ports, or switches.

Features

Commercial grade steel construction.

Scratch-resistant and fingerprint-resistant powdercoat finish.

Hidden assembly screws.

Keeps cameras, microphones, and button accessible and functional.

Includes Kensington Security Slots.

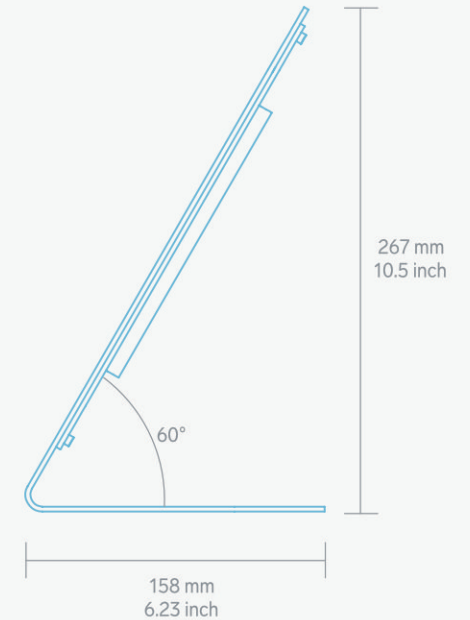
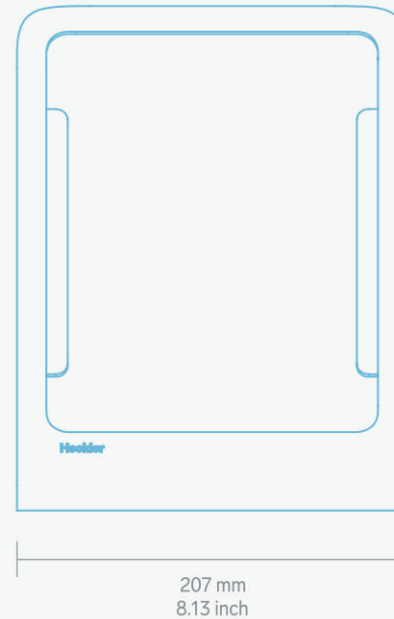
Compatible with PivotTable and PivotTack.



Heckler

Specifications

SKU	H759
Color	Black Grey (BG)
Warranty	2 years
Product Dimension	11.18 x 8.46 x 0.75 inches (284 x 215 x 19 mm)
Product Weight	1.9 lbs (0.86kg)
Shipping Dimension	11.75 x 7.27 x 6.63 inches (299 x 185 x 168 mm)
Shipping Weight	2.4 lbs (1.1 kg)
Material	Powdercoated Steel
Country of Origin	US
In the box	Stand Portrait for iPad Assembly tool Felt feet Sliding feet



For more information, contact
Heckler or your favorite Heckler
Authorized Dealer.

hecklerdesign.com
sales@hecklerdesign.com
(844) 432-5930

Heckler

Control your meetings with the power of iPad.



Meeting Room Console for iPad
For iPad 10th Generation
H760

Heckler

Deploy iPad 10th generation to control your video meetings and meeting rooms with beautiful design and flexibility.

Features

Commercial grade steel construction.

Scratch-resistant and fingerprint-resistant powdercoat finish.

Cable guard discourages end-user tampering.

Low screen angle.

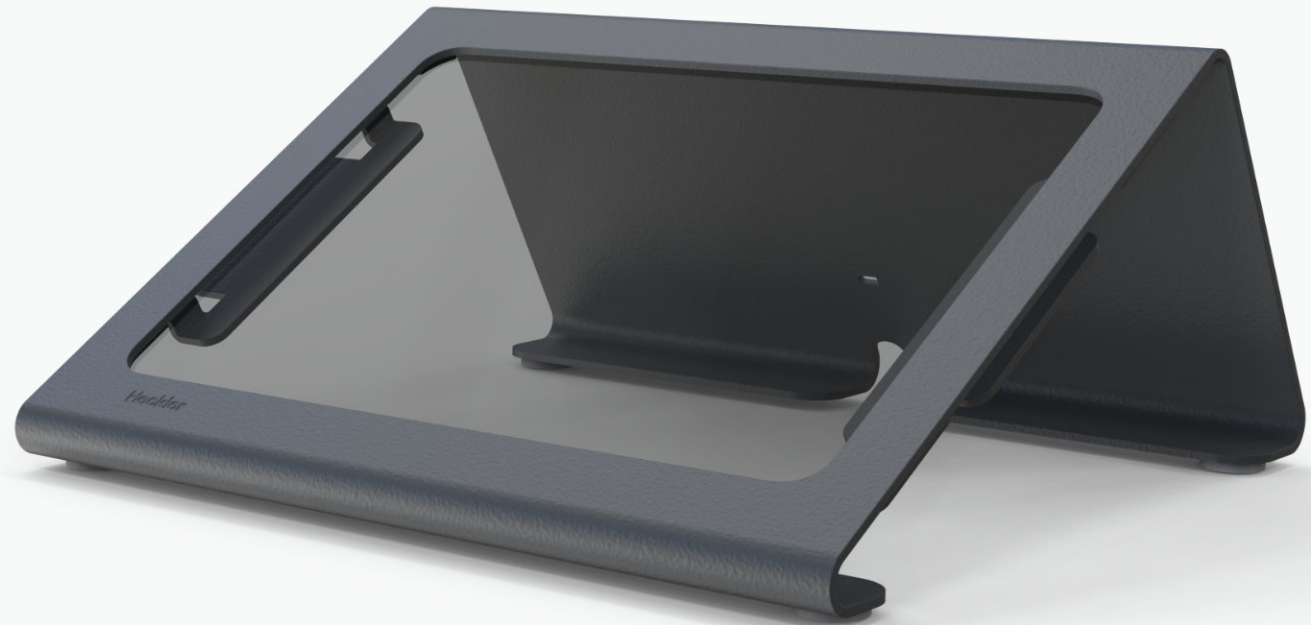
iPad Buttons, speakers, and microphones remain accessible and functional.

Hidden assembly screws.

Keeps cameras, microphones, and button accessible and functional.

Felt feet enable sliding the controller across your meeting room tables.

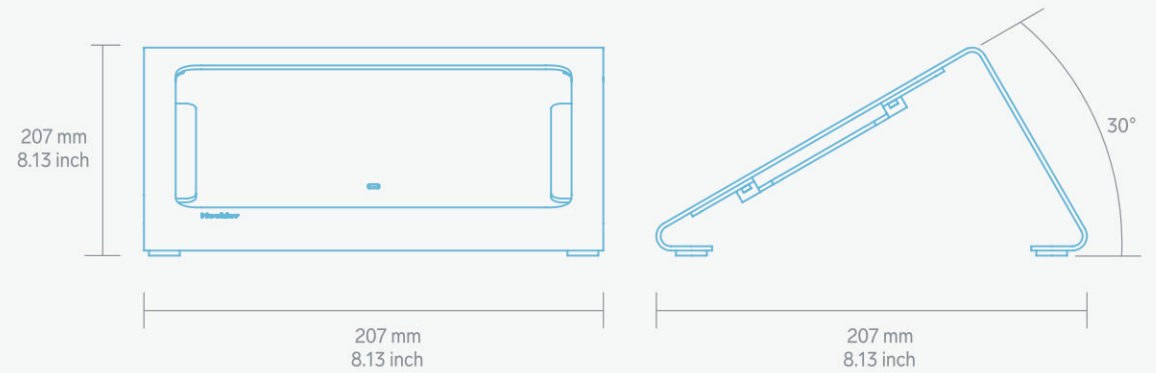
Includes Kensington Security Slot.



Heckler

Specifications

SKU	H760
Color	Black Grey (BG)
Warranty	2 years
Product Dimension	11.18 x 10.48 x 5.07 inches (284 x 266 x 129 mm)
Product Weight	4.14 lbs (1.88kg)
Shipping Dimension	11.68 x 10.98 x 5.57 inches (297 x 279 x 141 mm)
Shipping Weight	4.54 lbs (2.06 kg)
Material	Powdercoated Steel
Country of Origin	US
In the box	Meeting Room Console for iPad Assembly tool



For more information, contact
Heckler or your favorite Heckler
Authorized Dealer.

hecklerdesign.com
sales@hecklerdesign.com
(844) 432-5930