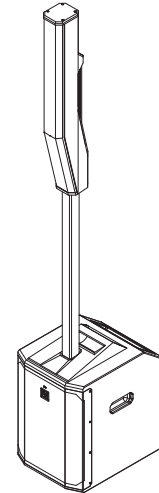


EVOLVE 50 Portable Column System



- EV Quick**Smart** Mobile application: quickly and wirelessly configure, control, and monitor up to six EVOLVE 50 systems simultaneously, and receive immediate notification during critical performance conditions. *Bluetooth® connectivity is available in select countries.*
- High-quality Bluetooth® audio streaming for background music or musical accompaniment. *Bluetooth® connectivity is available in select countries.*
- Ultra-wide 120° horizontal coverage via custom-designed waveguides and array-formed 40° asymmetrical vertical coverage means all acoustical energy is directed towards both sitting and standing audiences.
- Quick**Smart**DSP provides best-in-class processing via EV's signature single-knob user interface with LCD.
- Ideal for portable applications. Light weight and intuitive assembly via the magnet assisted sub pole make a quality performance easier than ever.



The EVOLVE 50 Portable Column System is a three component loudspeaker system powered by a 1000 W Class-D amplifier and driven by Electro-Voice's QuickSmartDSP.

The system consists of a 15 mm wooden, ported, powered subwoofer enclosure that houses a 12" subwoofer capable of a functional frequency output down to 37 Hz.

The bi-directional aluminum pole's connection to the subwoofer is secured using a magnet, and the column array is gravity-held to the sub pole. The signal is internally routed to the components.

Eight 3.5" neodymium drivers in the column array coupled with the 12" subwoofer delivers up to 127 dB SPL. The eight composite waveguides control high-frequencies with 120° of horizontal coverage, and 40° of asymmetrical (down-facing) vertical coverage to

ensure suitable output for sitting and standing audiences. The sub pole and column array come pre-packaged in a carrying bag.

The processing engine allows for easy setup via four presets (Music, Live, Speech, and Club), three-band EQ, five user-programmable presets (Store and Recall settings), output delay, phantom power (+15V), visual monitoring of limiter status, input level control and meters, and master volume control to ensure optimal gain structure.

The new Electro-Voice QuickSmart Mobile application utilizes Bluetooth® Low Energy (BTLE) technology for the wireless configuration, control, and monitoring of up to six EVOLVE 50 systems simultaneously. High-resolution Bluetooth® audio streaming adds convenience for wireless music playback in breakout rooms, intermission, and musical accompaniment.

Bluetooth® is available in select countries.

Parts included

Technical specifications

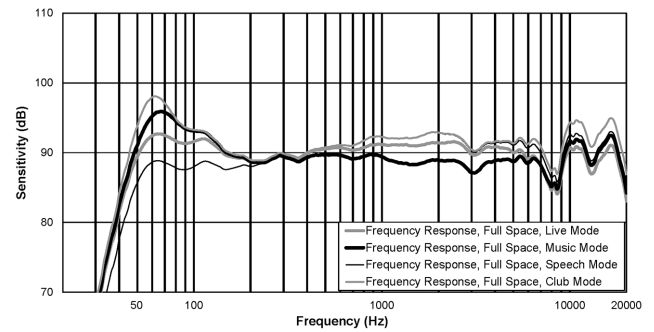
Frequency response (-3 dB) ¹ :	43 Hz-20 KHz
Frequency range (-10 dB) ¹ :	37 Hz-20 KHz
Maximum SPL ² :	127 dB
Coverage (H x V):	120° x 40°
Amplifier rating:	1000 W
LF channel rating:	500 W
HF channel rating:	500 W
Crossover frequency:	200 Hz
Connectors:	2x XLR/TRS Combo Jack Input 1x 3.5 mm Input 1x Stereo RCA Input 1x Wireless Bluetooth® Audio Input 1x XLR THRU Output 1x XLR MIX OUT Output
Enclosure:	Sub: 15 mm plywood Column: Composite Pole: Aluminum
Grille:	Steel with black or white powder coat
Color:	Black or white
Dimensions (HxWxD):	Sub: 530 x 345 x 471 (20.9 x 13.6 x 18.5) Column: 825 x 102 x 172 (32.5 x 4.0 x 6.9) Pole: 929 x 48.5 x 55 (36.6 x 1.9 x 2.2)
Net weight:	Sub: 44.66 lb (20.3 kg) Column: 10.34 lb (4.7 kg) Pole: 2.75 lb (1.25 kg) Sub cover: 0.9 lb (0.4 kg) Bag for column and pole: 1.87 (0.85 kg)
Shipping weight:	Sub box: 50.71 lb (23 kg) Column box: 18.30 lb (8.3 kg)
Power consumption ³ :	100-240 V AC, 50-60 Hz, 1.5-0.6 A

¹Full-space measurement using music DSP preset.

²Maximum SPL is measured at 1 m using broadband pink noise at maximum output.

³Current rating is 1/8 power.

Frequency response:



Dimensions:

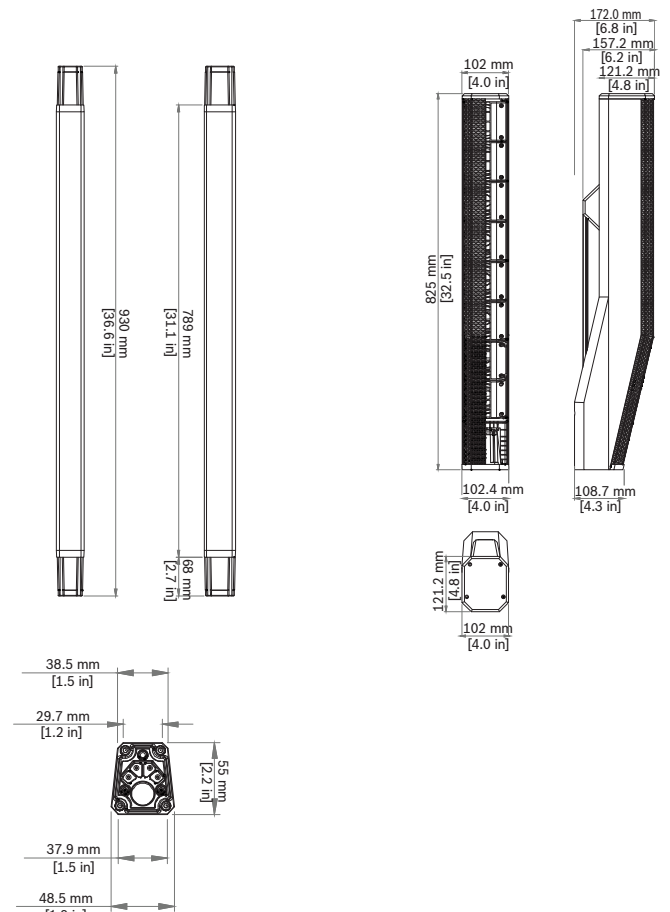
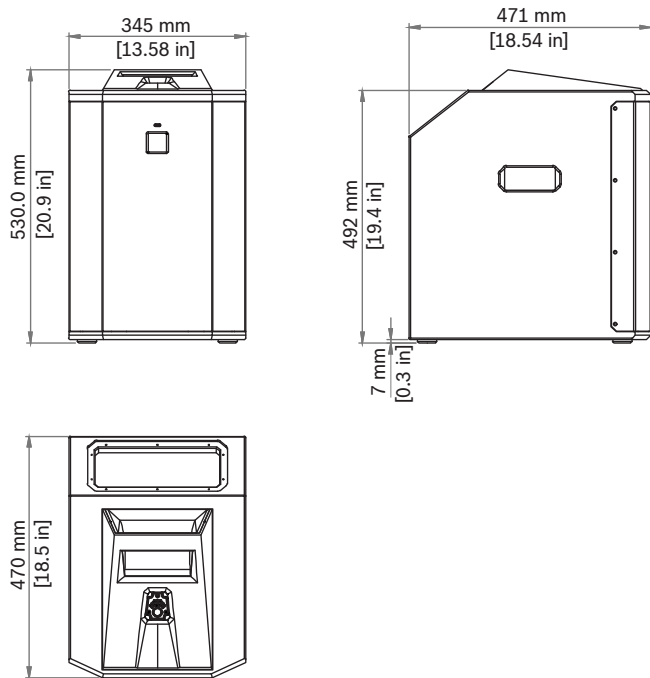


Fig. 1:



Accessories

EVOLVE50-SUBCVR Subwoofer cover

Cover for the EVOLVE 50 subwoofer, black
Order number **EVOLVE50-SUBCVR | F.01U.336.241**

EVOLVE50-CASE Column speaker carrying case, wheels

Column speaker carrying case with wheels, black
Order number **EVOLVE50-CASE | F.01U.335.110**

EVOLVE50-PL-SB Column speaker pole, short, black

Column speaker short pole, black
Order number **EVOLVE50-PL-SB | F.01U.335.108**

EVOLVE50-PL-SW Column speaker pole, short, white

Column speaker short pole, white
Order number **EVOLVE50-PL-SW | F.01U.335.109**

Ordering information

EVOLVE50-TB Column speaker array, pole, black

EVOLVE 50 column array, sub pole, and carrying bag, black
Order number **EVOLVE50-TB | F.01U.335.090**

EVOLVE50-SB-US Column speaker sub US, black

EVOLVE 50 column subwoofer, US, black
Order number **EVOLVE50-SB-US | F.01U.335.091**

EVOLVE50-SB-EU Column speaker sub EU, black

EVOLVE 50 column subwoofer, EU, black
Order number **EVOLVE50-SB-EU | F.01U.335.094**

EVOLVE50-SB-AP Column speaker sub AP, black

EVOLVE 50 column subwoofer, AP, black
Order number **EVOLVE50-SB-AP | F.01U.335.097**

EVOLVE50-SB-GL Column speaker sub, black, global, no BT

EVOLVE 50 column subwoofer, global, no BT, black
Order number **EVOLVE50-SB-GL | F.01U.335.092**

EVOLVE50-TW Column speaker array, pole, white

EVOLVE 50 column array, sub pole, and carrying bag, white
Order number **EVOLVE50-TW | F.01U.335.099**

EVOLVE50-SW Column speaker sub, white, global w BT

EVOLVE 50 column subwoofer, global, white
Order number **EVOLVE50-SW | F.01U.335.100**

EVOLVE50-SW-GL Column speaker sub, white, global, no BT

EVOLVE 50 column subwoofer, global, no BT, white
Order number **EVOLVE50-SW-GL | F.01U.335.101**

Represented by:

Germany:
Bosch Sicherheitssysteme GmbH
Robert-Bosch-Ring 5
85630 Grasbrunn
Germany
www.electrovoice.com

Bosch Security Systems, LLC
12000 Portland Avenue South
Burnsville MN 55337
USA