

TP200-WM Wall Offset Stand



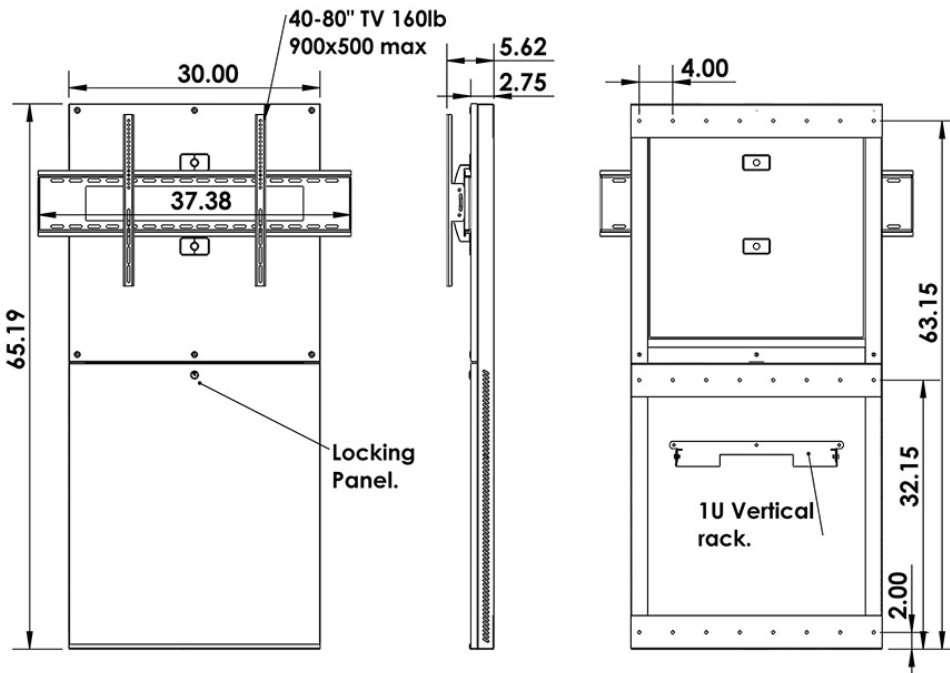
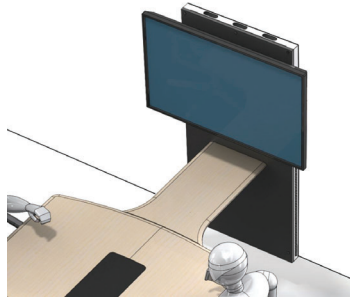
TP200-WM wall offset stand for single monitor applications. A wall mounted metal frame with ventilation, 1U rack and cable management for keeping your install simple and external to wall. Standard color is black. The TP200-WM accommodates 40"-80" displays (160 lbs max). See your monitor manufacturers website for installation guide or spec to confirm mounting hole locations. Max mount hole location is 900mm wide X 500mm high.

Standard Features

- Accommodates 40"-80" displays (160 lbs max and 900mm x 500mm spacing)
- Made with steel and furniture grade laminate
- Adjustable TV height during setup
- Wiring channel inside main pillar
- Includes 1U vertical rack
- Vented sides and top
- Locking bottom panel door
- Compatible with AVFI tables and bridges

Options

- **PB** Six outlet power bar with 10 ft. cord
- **TVCB-XL** for video conference applications allowing camera to ride up and down with the screen
- **TVCB** Camera bracket for freestanding or wall mount TV's
- **BKT-ROOM** Cisco Room & Room Plus camera bracket (using TVCB)
- **BKT-C20** C20 Codec bracket
- **BKT-SX20** SX20 Codec bracket
- **CS** Wall mount camera or codec shelf



Specifications

Model: TP200-WM
Width: 30"
Depth: 2-3/4"
Height: 65-1/8"
Finish: Black laminate panel with grey metal frame

The information contained in this drawing is the sole property of Audio Visual Furniture International. Any reproduction in part or as a whole without the written permission of Audio Visual Furniture International is prohibited. We can build or modify stock configurations to suit customer specifications. Please contact us to discuss how this service can help meet your needs. Some quantity restrictions may apply. Specification subject to change without notice. Computers, cameras, monitors, etc. are shown to illustrate product usage and are not included unless otherwise noted.