



The **VC-TABLE T1 Package** consists of 1x **VC-TABLE** + 1x **TP800** monitor stand (Choice of single, dual or XL monitor bracket).

Designed primarily for the video conference market, this table features cable management grommets/cubby's for easy plug in of laptops or USB keys and displaying on screen.

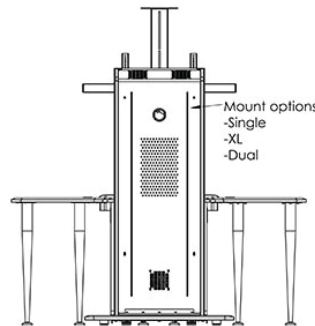
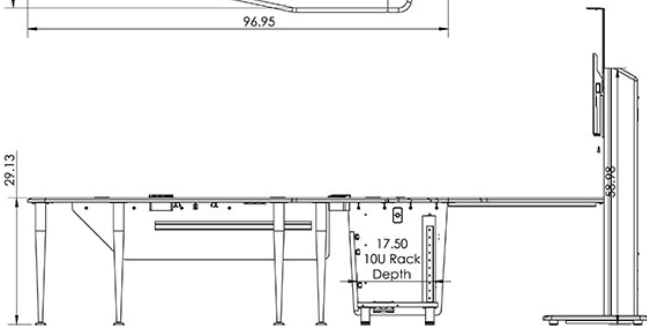
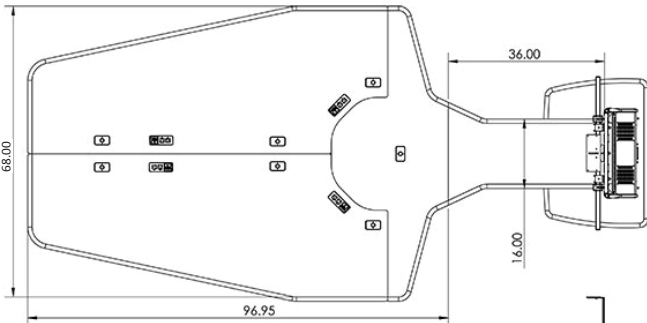
Standard Features

Table

- Seats 7 people. Can accommodate more people with extensions
- Cable management tray and grommets built in
- Built in equipment rack for codec or PC, 10U with easy access
- Bridge for cable management to TP800 stand
- 2 bridges (36" and 49-1/4") offered for different camera distance requirements
- Highly resistant thermowrap surface in many colors
- **TP800-S (Single), TP800-D (Dual) or TP800-XL (Single XL)**
- Fixed base monitor stand for single large (40"-80"), dual (32"-70") or single XL (50"-90") TV's
- Camera mount, 3U mounted codec basket, electronics shelf and a 6 outlet power bar with 10 ft. cord mounted inside
- Cooling fan built-in

Options

- **411 Extension** Accommodates 4 additional people
- **PLM1022** 10" - 24" LCD monitor mount
- **SBB** Sound bar bracket
- **CBB-TV** Under TV camera bracket (26" - 80" TV's)
- **BKT-C20** C20 Codec bracket
- **PM2-ARM** Side mounting camera bracket
- **PB** Six outlet power bar with 10 ft. cord
- **SF-PB3** Surface mounted 3-outlet 120V power bar
- **CUB3** Round cable well (Black)
- **CUB4** Power panel (Black & Silver)
- **CUB5** Round cable well (Black & Silver)
- **CUB8** Table top cable well (Black)
- **CHGQIW/B** Wireless charging station white or black
- **CHGQI-DNGL** Dongle Lightning, USB Type-C, Micro-USB (Requires **CHGQIW/B**)
- **9031/9041/9052** Rack mounted shelves & drawer
- **9107** Lacing bar (19" long)
- **CUSTOM CUTOUT** Cutouts for electronics or other items specified by the customer



Specifications

Model: VC-TABLE T1
Width: 68"
Depth: 133"
Height: 29-1/8"

Finishes



The information contained in this drawing is the sole property of Audio Visual Furniture International. Any reproduction in part or as a whole without the written permission of Audio Visual Furniture International is prohibited. We can build or modify stock configurations to suit customer specifications. Please contact us to discuss how this service can help meet your needs. Some quantity restrictions may apply. Specification subject to change without notice. Computers, cameras, monitors, etc. are shown to illustrate product usage and are not included unless otherwise noted.