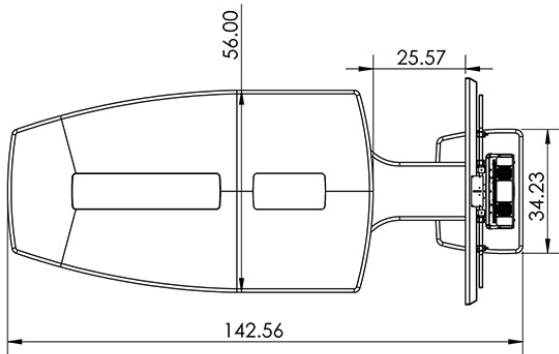
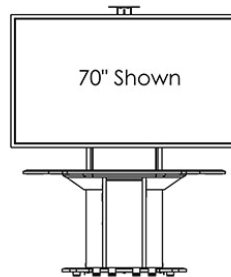
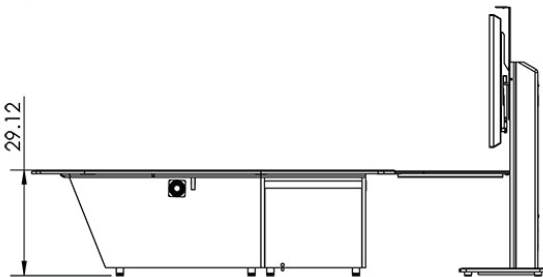


36FR + 36RR + 36B31 + 1x TP800 monitor stand  
(Choice of single, dual or XL display)



(T3600 T1-S Shown)



The **T3600-T1** table package consists of sections 36FR + 36RR + 36B31 + 1x TP800 monitor stand (Choice of single, dual or XL display). Package features islands for accommodating your electronics, power grommets/cubby's custom cutouts. Islands can be replaced as your technology changes. Optional cable bridge is included with section 36RR to pass all wiring through the table and avoid core drilling. TP800 stand accommodates a variety of display configurations and 3U of electronics vertically. Can be built without bridge if 360 access is required.

### Standard Features

#### T3600 Table

- Seats 7 people. Can be expanded with extensions later
- Large base with access panels for cable routing and device storage/mounting
- Islands for accommodating electronics/grommets
- 36RR section includes a basic desktop rack, 10U with easy access
- Highly resistant thermowrap surface in many finishes
- Bridge for cable management to room or furniture

#### TP800 Stand

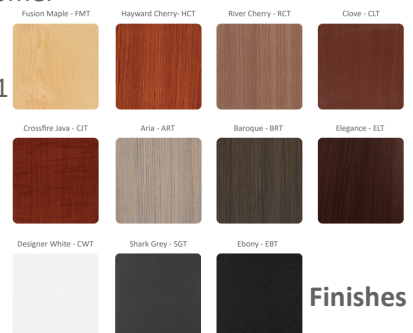
- Choice of TP800-S (Single), TP800-D (Dual) or TP800-XL (Single XL)
- Fixed base monitor stand for single (40"-70"), dual (42"-70") or XL (65"+) TV's
- Camera mount, 3U mounted codec basket, electronics shelf and a 6 outlet power bar with 10 ft. cord mounted inside
- Cooling fan built-in

### Options

- **PLM1022** 10" - 24" LCD monitor mount
- **CBB-TV** Under TV camera bracket (26" - 80" TV's)
- **PB** Six outlet power bar with 10 ft. cord
- **SF-PB3** Surface mounted 3-outlet 120V power bar
- **CUB3** Round cable well
- **CUB4** Black-B/Silver-S Power Panel
- **CUB5** Round cable well
- **CUB8** Table top cable well
- **MIC-18** MX418 S/C Shure Gooseneck microphone
- **CHGQIW/B** Wireless charging station white or black
- **CHGQI-DNGL** Dongle Lightning, USB Type-C, Micro-USB (Requires **CHGQIW/B**)
- **9031-1/2/3** Utility Vented Metal Shelf
- **DIR9200-10** 10U Rack module
- **PC CUTOUT** Custom cutout for PC. For 36FR base
- **CUSTOM CUTOUT** Cutouts for electronics or other items specified by the customer

### Specifications

**Model:** T3600-T1  
**Width:** 56"  
**Depth:** 11'-2.6"  
**36FR** - 63.5"  
**36RR** - 37.75"  
**36B31** - 31"  
**TP800** - 24"  
**Height:** 29.13"



**Finishes**

The information contained in this drawing is the sole property of Audio Visual Furniture International. Any reproduction in part or as a whole without the written permission of Audio Visual Furniture International is prohibited. AVFI can build or modify stock configurations to suit customer specifications. Please contact us to discuss how this service can help meet your needs. Some quantity restrictions may apply. Specification subject to change without notice. Computers, cameras, monitors, etc. are shown to illustrate product usage and are not included unless otherwise noted.