

SUA740P



**Mounting Pattern**  
200 x 100, or  
200 x 200mm



**Max Load**  
60lb  
(27kg)

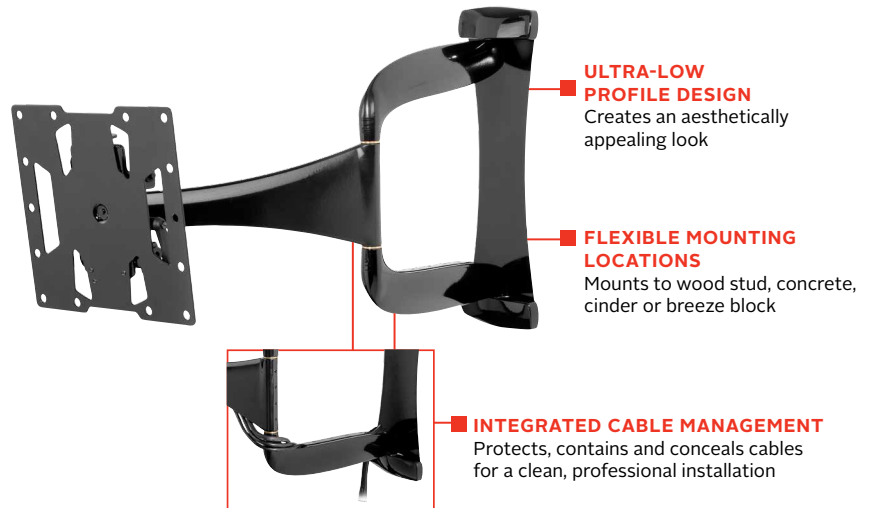
# DesignerSeries™ Ultra Slim Articulating Wall Mount

FOR 32" TO 43" ULTRA-THIN DISPLAYS\*

One of the thinnest wall arm mounts on the market, the Peerless-AV® DesignerSeries™ Ultra Slim Articulating Wall Mount is designed exclusively for ultra-thin displays. The SUA740P's One-Touch™ tilt mechanism provides effortless movement of the display for the perfect viewing experience, and vertical adjustment allows the display to be raised or lowered by ½" after installation to fine-tune the positioning. With a gloss black finish and internal cable management, the SUA740P provides a clean, professional look that matches any décor.

Dealerscope **2017**  
**IMPACT!**  
awards

- Accommodates 200 x 100, or 200 x 200mm VESA® mounting patterns
- Arm retracts to 1.74" (44mm) and extends up to 24.74" (628mm) from wall
- One-Touch™ tilt mechanism allows adjustment of +15/-5° without the use of tools
- Up to ±90° of side-to-side swivel
- Added ±5° of roll for post-installation display leveling without the use of tools
- Up to ±0.5" (13mm) of vertical adjustment for post-installation leveling and height adjustment fine-tuning



Swivel, tilt, extend or retract the display for the perfect viewing angle.



Comes in color packaging with included installation hardware and easy to follow instructions.



Please visit [peerless-av.com/en-us/patents](http://peerless-av.com/en-us/patents) for patent information.

\*This display size range is simply a guideline for product selection. Displays larger than the screen size range may still be compatible as long as they fall within the VESA® pattern and max weight of the Peerless-AV® product.

†Designed for use with displays that are less than 3" (76mm) deep.

‡The display must have a flat mounting surface, or mounting holes need to be on the furthest back surface of the display.

✉ [info@peerless-av.com](mailto:info@peerless-av.com)  
🌐 [peerless-av.com](http://peerless-av.com)

**peerless-AV®**  
Driving Technology Through Innovation

SUA740P DesignerSeries™ Ultra Slim Articulating Wall Mount for 32" to 43" Ultra-Thin Displays

**Product Specifications**

	DIMENSIONS (W x H x D)	PRODUCT WEIGHT	LOAD CAPACITY	FINISH	AVAILABLE COLORS
SUA740P	16.38" x 16.14" x 1.74"-24.74" (416 x 410 x 44-628mm)	10.10lb (4.58kg)	60lb (27kg)	Scratch Resistant Fused Epoxy	Gloss Black

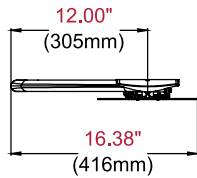
**Package Specifications**

	PACKAGE SIZE (W x H x D)	PACKAGE SHIP WEIGHT	PACKAGE UPC CODE	PACKAGE CONTENTS	UNITS IN PACKAGE
SUA740P	21.25" x 3.25" x 19.50" (540 x 86 x 495mm)	13.25lb (6.01kg)	735029306375	Wall Mount, Wall and Display Installation Hardware, Installation Instructions	1

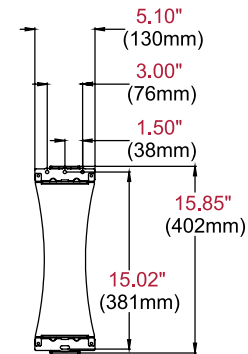
**Accessories**

- ACC925: Security Fasteners
- ACC-UCM: Universal AV Component Mount
- ESHV models: AV Wall Shelves
- IBA2(-W), IBA2AC(-W), IBA3(-W), IBA3AC(-W): Recessed Cable Management and Power Storage Accessory Box
- IBA4-W: Easy Mount Recessed Low Voltage Cable Plate
- IBA5-W: Recessed Low Voltage Media Plate with Duplex Surge Suppressor
- WSP756: Metal Stud Wall Plate

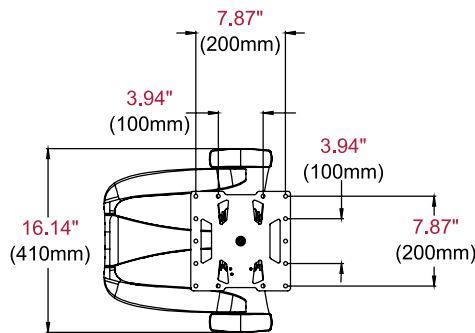
All dimensions = inch (mm)



**TOP VIEW**



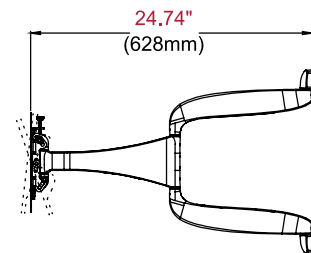
**WALL PLATE DETAIL**



**FRONT VIEW**



**SIDE VIEW COLLAPSED**



**SIDE VIEW EXTENDED  
+15°/-5° TILT**

**Architect Specifications**

The DesignerSeries™ Ultra Slim Articulating Wall Mount shall be a Peerless-AV model SUA740P and shall be located where indicated on the plans. Assembly and installation shall be done according to instructions provided by the manufacturer.

Visit [peerless-av.com](http://peerless-av.com) to see the complete line of AV solutions from Peerless-AV, including outdoor displays, wireless, kiosks, digital audio, display mounts, projector mounts, carts/stands, and a full assortment of accessories.

**Peerless-AV**  
2300 White Oak Circle  
Aurora, IL 60502 USA  
  
**(800) 865-2112**  
**(630) 375-5100**  
**Fax: (800) 359-6500**

**Peerless-AV EMEA**  
Unit 3 Watford Interchange  
Colonial Way, Watford  
Herts, WD24 4WP  
United Kingdom  
**+44 (0) 1923 200100**  
**Fax: +44 (0) 1923 200101**

**Peerless-AV Latin America**  
Ave de las Industrias 413  
Parque Industrial Escobedo  
Escobedo, N.L.,  
Mexico 66062  
**+52 (81) 8384-8300**  
**Fax: +52 (81) 8384-8360**

