

ACC-CCPHD



Max load
500lb (226.8kg)

Heavy Duty Cathedral Ceiling Adaptor

FOR PROJECTORS AND FLAT PANEL DISPLAYS

The Heavy Duty Cathedral Ceiling Adaptor can be used with 1.5"-11.5 NPT extension columns (EXT, AEC models only) to securely mount and support a projector or flat panel display from an angled ceiling. This adaptor offers +95°/-5° of adjustment and includes a security slot for theft resistance. The ACC-CCPHD is a low-profile, secure solution to support nearly any projector or display in an angled ceiling application.

The +95°/-5° tilt provides the ultimate flexibility, allowing displays to be mounted from multiple ceiling angles and even above partial walls (90°).

Additional Features

- ✓ +95°/-5° of adjustment
- ✓ Compatible with 1.5"-11.5 NPT (38mm) extension columns
- ✓ Can be mounted directly to wood studs or concrete
- ✓ Includes a security slot for theft resistance



■ **+95°/-5° ADJUSTMENT**
Securely lock the adaptor at any angle

■ **1.5" - 11.5 NPT WITH SECURITY SCREW**
To lock extension column in place



ACC-CCPHD: Heavy Duty Cathedral Ceiling Adaptor for Projectors and Flat Panel Displays

Product Specifications

	DIMENSIONS (W x H x D)	PRODUCT WEIGHT	LOAD CAPACITY	FINISH	AVAILABLE COLORS
ACC-CCPHD	6.69" x 6.00" x 4.79" (170 x 152 x 122mm)	3.7lb (1.68kg)	500lb (226.8kg)	Powder Coat	Black

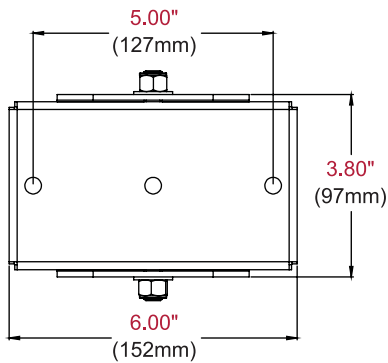
Package Specifications

	PACKAGE SIZE (W x H x D)	PACKAGE SHIP WEIGHT	PACKAGE UPC CODE	PACKAGE CONTENTS	UNITS IN PACKAGE
ACC-CCPHD	6.25" x 6.00" x 9.75" 159 x 152 x 248mm	4.1lb (1.86kg)	735029311294	Heavy Duty Cathedral Ceiling Adaptor, Wood Screws and Concrete Anchors	1

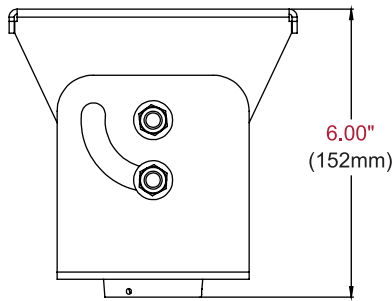
Accessories

ACC200: Concrete Expansion Anchors

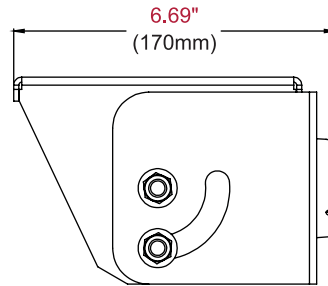
All dimensions = inch (mm)



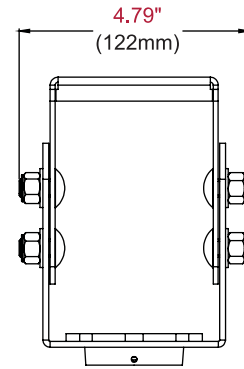
TOP VIEW



FRONT VIEW



**FRONT VIEW
+95° TILT**



SIDE VIEW

Architect Specifications

The Heavy Duty Cathedral Ceiling Adaptor shall be a Peerless-AV model ACC-CCPHD and shall be located where indicated on the plans. Assembly and installation shall be done according to instructions provided by the manufacturer.

Visit peerless-av.com to see the complete line of AV solutions from Peerless-AV, including outdoor displays, wireless, kiosks, digital audio, display mounts, projector mounts, carts/stands, and a full assortment of accessories.

Peerless-AV
2300 White Oak Circle
Aurora, IL 60502 USA
(800) 865-2112
(630) 375-5100
Fax: (800) 359-6500

Peerless-AV Europe
Unit 3 Watford Interchange
Colonial Way, Watford
Herts, WD24 4WP
United Kingdom
+44 (0) 1923 200100
Fax: +44 (0) 1923 200101

Peerless-AV de México
Ave de las Industrias 413
Parque Industrial Escobedo
Escobedo, N.L.,
Mexico 66050
+52 (81) 8384-8300
Fax: +52 (81) 8384-8360

