

SUA747PU



Mounting Pattern
400 x 400mm
(15.75" x 15.75")



Max Load
60lb
(27kg)

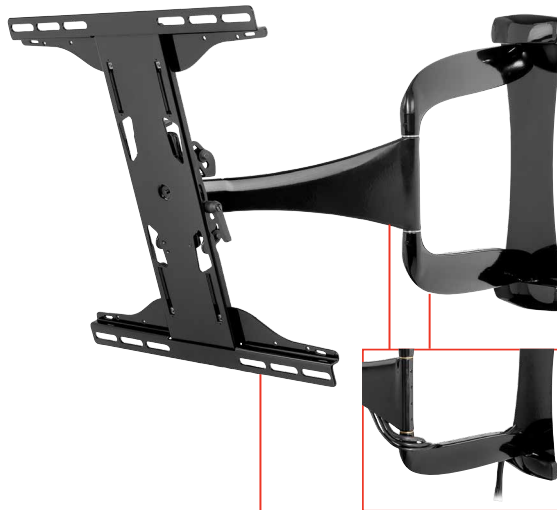
Dealerscope **2017**
IMPACT!
awards

DesignerSeries™ Universal Ultra Slim Articulating Wall Mount

FOR 32" TO 50" ULTRA-THIN DISPLAYS*

One of the thinnest wall arm mounts on the market, the Peerless-AV® DesignerSeries™ Universal Ultra Slim Articulating Wall Mount is designed exclusively for ultra-thin displays. The SUA747PU is built to hold displays firmly in any position – landscape or portrait – while still offering an ultra-low profile. An innovative I-shaped adaptor plate makes it easy to access the back of the display, keeping hardware hidden, and features internal cable management, providing a clean, professional look that transitions smoothly from the wall to the display. With a gloss black finish, the SUA747PU matches any décor.

- Universal mount accommodates 200 x 100 to 400 x 400mm VESA® mounting patterns
- Arm retracts to 1.85" (47mm) and extends up to 24.85" (631mm) from wall
- One-Touch™ tilt mechanism allows adjustment of +15/-5° without the use of tools
- Up to ±90° of side-to-side swivel
- Added ±5° of roll for post-installation display leveling without the use of tools
- Up to ±0.5" (13mm) of vertical adjustment for post-installation leveling and height adjustment fine-tuning
- Landscape or portrait mounting options increases display versatility



■ **ULTRA-LOW PROFILE DESIGN**
Creates an aesthetically appealing look

■ **FLEXIBLE MOUNTING LOCATIONS**
Mounts to wood stud, concrete, cinder or breeze block

■ **INTEGRATED CABLE MANAGEMENT**
Protects, contains and conceals cables for a clean, professional installation

■ **I-SHAPED ADAPTOR PLATE**
Helps avoid blocking connections on back of display



Swivel, tilt, extend or retract the display for the perfect viewing angle.



Comes in color packaging with included installation hardware and easy to follow instructions.



Please visit peerless-av.com/en-us/patents for patent information.

*This display size range is simply a guideline for product selection. Displays larger than the screen size range may still be compatible as long as they fall within the VESA® pattern and max weight of the Peerless-AV® product.
*Designed for use with displays that are less than 3" (76mm) deep.
†The display must have a flat mounting surface, or mounting holes need to be on the furthest back surface of the display.

SUA747PU DesignerSeries™ Universal Ultra Slim Articulating Wall Mount for 32" to 50" Ultra-Thin Displays

Product Specifications

	DIMENSIONS (W x H x D)	PRODUCT WEIGHT	LOAD CAPACITY	FINISH	AVAILABLE COLORS
SUA747PU	20.25" x 16.94" x 1.85"-24.85" (514 x 430 x 47-631mm)	12.37lb (5.61kg)	60lb (27kg)	Scratch Resistant Fused Epoxy	Gloss Black

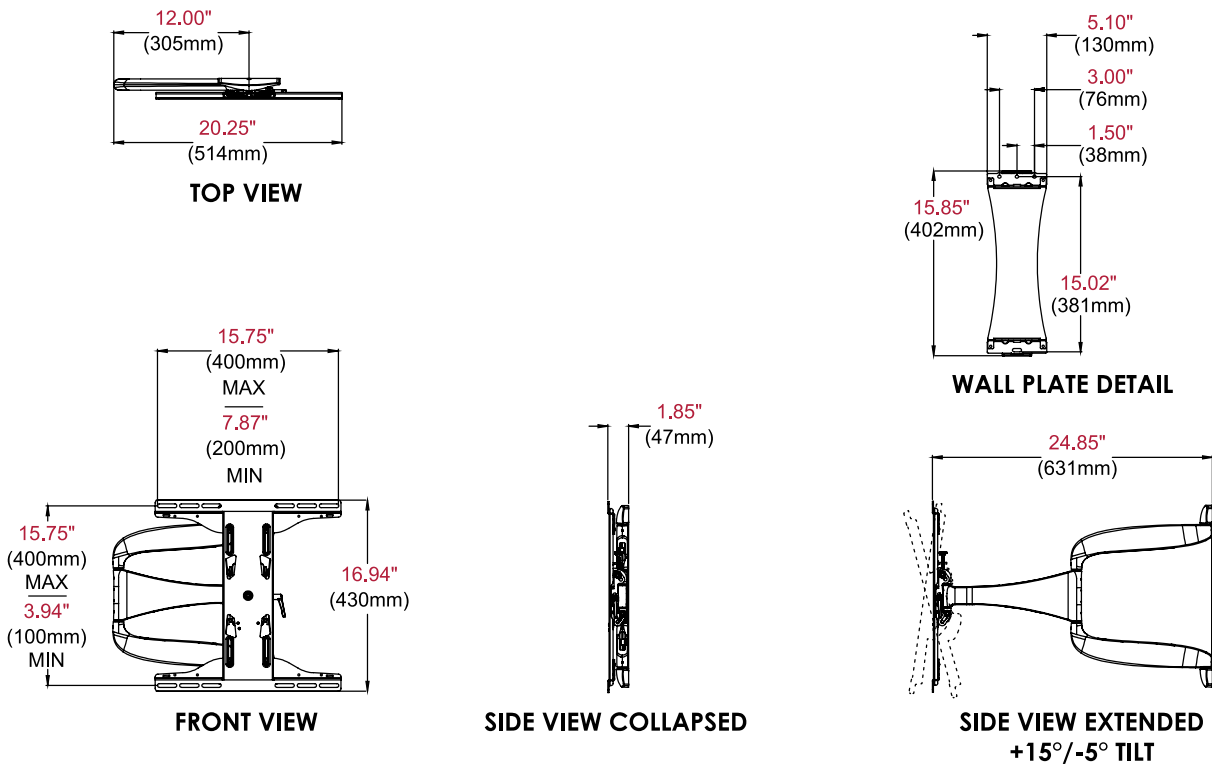
Package Specifications

	PACKAGE SIZE (W x H x D)	PACKAGE SHIP WEIGHT	PACKAGE UPC CODE	PACKAGE CONTENTS	UNITS IN PACKAGE
SUA747PU	21.25" x 3.25" x 19.50" (540 x 86 x 495mm)	16.75lb (7.60kg)	735029306382	Wall Mount, Wall and Display Installation Hardware, Installation Instructions	1

Accessories

- ACC925:** Security Fasteners
- ACC-UCM:** Universal AV Component Mount
- ESHV models:** AV Wall Shelves
- IBA2(-W), IBA2AC(-W), IBA3(-W), IBA3AC(-W):** Recessed Cable Management and Power Storage Accessory Box
- IBA4-W:** Easy Mount Recessed Low Voltage Cable Plate
- IBA5-W:** Recessed Low Voltage Media Plate with Duplex Surge Suppressor
- WSP756:** Metal Stud Wall Plate

All dimensions = **inch** (mm)



Architect Specifications

The DesignerSeries™ Universal Ultra Slim Articulating Wall Mount shall be a Peerless-AV model SUA747PU and shall be located where indicated on the plans. Assembly and installation shall be done according to instructions provided by the manufacturer.

Visit peerless-av.com to see the complete line of AV solutions from Peerless-AV, including outdoor displays, wireless, kiosks, digital audio, display mounts, projector mounts, carts/stands, and a full assortment of accessories.

Peerless-AV
 2300 White Oak Circle
 Aurora, IL 60502 USA
(800) 865-2112
(630) 375-5100
Fax: (800) 359-6500

Peerless-AV EMEA
 Unit 3 Watford Interchange
 Colonial Way, Watford
 Herts, WD24 4WP
 United Kingdom
+44 (0) 1923 200100
Fax: +44 (0) 1923 200101

Peerless-AV Latin America
 Ave de las Industrias 413
 Parque Industrial Escobedo
 Escobedo, N.L.,
 Mexico 66062
+52 (81) 8384-8300
Fax: +52 (81) 8384-8360

