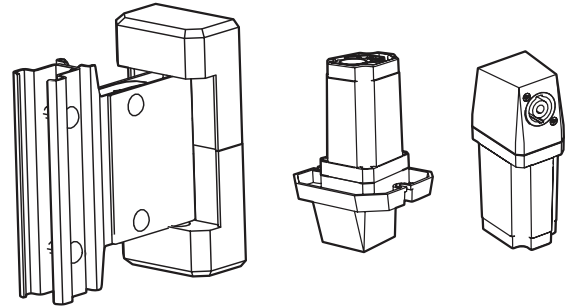


# EVOLVE Wall mount kit, NL4



- Innovative mounting system for quick, simple, and reliable installations of EVOLVE column speakers.
- Sturdy wall mount bracket with 15 degrees of downward tilt, and 45 degrees, each way, of left and right adjustment.
- Subwoofer and column adapters with NL4 connections.
- Compatible with EVOLVE 30M , EVOLVE 50 and EVOLVE 50M column speakers, available in black or white.
- Suggested to use correctly rated speaker cable for installation: wire gauges 1.5 mm<sup>2</sup> - 2.5 mm<sup>2</sup> (AWG16-AWG14).



The EVOLVE-WMK is used to suspend EVOLVE 30M , EVOLVE 50 and EVOLVE 50M column speakers remotely from the subwoofer and without the distance pole. Electro-Voice strongly recommends that loudspeakers be suspended taking into account all current national, federal, state and local laws and regulations. Suspending any object is potentially dangerous. Only individuals who have thorough knowledge of the techniques and regulations of suspending objects overhead should attempt to suspend loudspeakers. The wall mount kit is available in both black and white colors to match the EVOLVE columns speaker system and the venue.

The Electro-Voice EVOLVE Wall Mount Kit provides users the flexibility to mount the EVOLVE column speaker remotely from the subwoofer and without the distance pole. This provides a safe method for mounting the column speakers higher than the distance pole allows and remote locating the subwoofer for aesthetic or acoustic purposes.

Quantity	Component
1	Installation manual

## Parts included

Quantity	Component
1	Wall mount bracket
1	Subwoofer amplifier and input cover
1	Column speaker adapter
1	Subwoofer adapter
1	Secondary auxiliary support cable

## Technical specifications

### Electrical

Connector type	NL4
----------------	-----

### Environmental

Usage	Indoor
-------	--------

### Mechanical

Color	Black or white
Dimension (H x W x D) (mm)	80 mm x 400 mm x 400 mm
Dimension (H x W x D) (in)	3.1 in. x 15.75 in. x 15.75 in.
WLL (kg)	5 kg
WLL (lb)	11 lb
Weight (kg)	1.35 kg
Weight (lb)	3 lb
Shipping weight (kg)	1.80 kg
Shipping weight (lb)	4 lb

### Dimensions

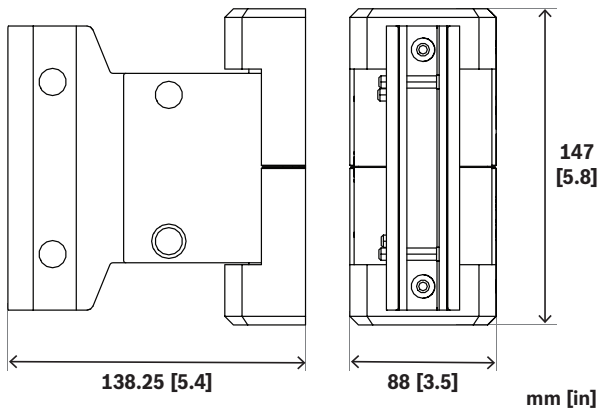


Fig. 1: Wall mount bracket

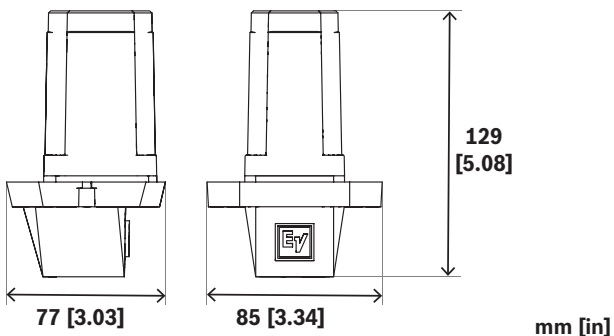


Fig. 2: Column speaker adapter for EVOLVE-WMK with NL4 connector

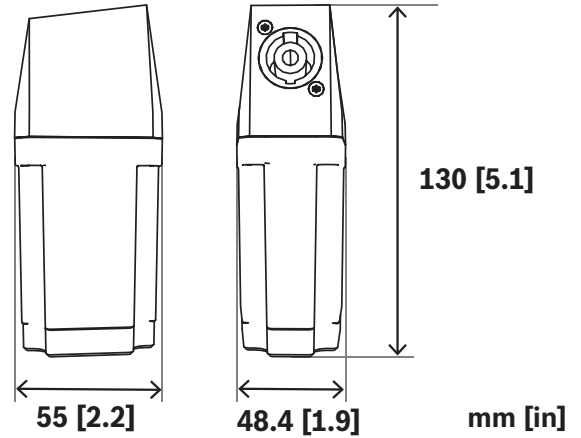


Fig. 3: Subwoofer adapter for EVOLVE-WMK with NL4 connector

## Ordering information

**EVOLVE-WMK-NB Wall mount kit, EVOLVE, NL4, black**  
 Wall mount kit with NL4 connectors, black  
 Order number **EVOLVE-WMK-NB | F.01U.392.643**

**EVOLVE-WMK-NW Wall mount kit, EVOLVE, NL4, white**  
 Wall mount kit with NL4 connectors, white  
 Order number **EVOLVE-WMK-NW | F.01U.392.644**

### Represented by:

**Germany:**  
 Bosch Sicherheitssysteme GmbH  
 Robert-Bosch-Ring 5  
 85630 Grasbrunn  
 Germany  
[www.electrovoice.com](http://www.electrovoice.com)

Bosch Security Systems, LLC  
 12000 Portland Avenue South  
 Burnsville MN 55337  
 USA