



PD4501 podium features a large customizable top surface to support monitors, laptops and room control systems. It also boasts a front storage area, a side doc cam or projector shelf, front and rear interior access with security locks, PC tower space, ample 14U rack rails for additional electronic equipment.

Standard Features

- Flat or wedge top pods with multiple configuration options to suit your interface requirements
- 3 rear doors for easy access to equipment from audience side (2 lower cabinet doors with locks)
- 14U 19" rack rails (26.13" Deep). Front & rear sets are now included.
- Locking acrylic door
- Locking storage compartment
- PC space with front access
- Document camera/projector shelf
- FAN Quiet cooling 120mm fan
- Pull-out keyboard tray
- Heavy duty casters (2 locking)
- Available in our laminate finishes
- Ships assembled



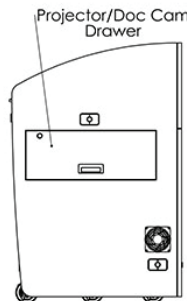
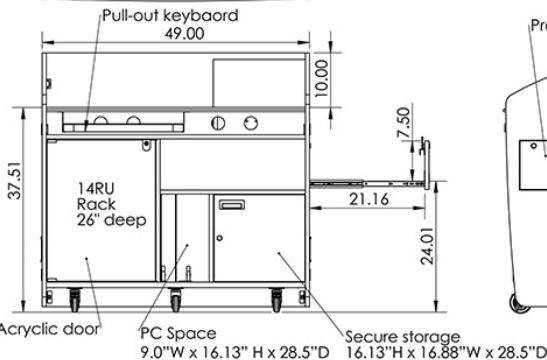
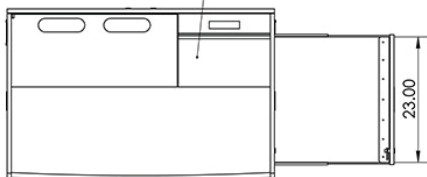
Flat + Wedge Configuration Shown

Options

- C900S/C900D Single/Dual adjustable monitor arm
- PLM1022 10" - 24" Monitor mount
- MM1232 12" - 32" Monitor mount
- MCB1925 19" - 25" Monitor/camera bracket
- FM3 Count down timer/clock
- MIC-18 MX418 S/C Shure Gooseneck microphone
- LIGHT-18 Littlite Gooseneck
- FAN Quiet cooling fan
- PB Six outlet power bar with 10 ft. cord
- PC-PATCH 2x 110AC, RJ45, Phone, 2x USB
- SF-PB3 Surface mounted 3-outlet 120V power bar
- CUB3 Round cable well
- CUB4 Black-B/Silver-S Power Panel
- CUB5 Round cable well (Black or Silver)
- CUB8 Table top cable well
- CHGQIB Wireless charging station. Only on flat cutout
- 9031/9041/9052 Utility metal shelves/drawer (Check website)
- 9107 Lacing bar (19" long)
- MAGKEY Additional key for hidden locks
- LEV4AX5 5x Levelers for non-mobile applications
- CUSTOM CUTOUT Cutouts for electronics or other items specified by the customer



Flat or wedge top pods shown.



Specifications

Model: PD4501
Width: 49"
Depth: 31.75"
Height: 47.75"

Finishes



Other finishes are available. Check website.

The information contained in this drawing is the sole property of Audio Visual Furniture International. Any reproduction in part or as a whole without the written permission of Audio Visual Furniture International is prohibited. AVFI can build or modify stock configurations to suit customer specifications. Please contact us to discuss how this service can help meet your needs. Some quantity restrictions may apply. Specification subject to change without notice. Computers, cameras, monitors, etc. are shown to illustrate product usage and are not included unless otherwise noted.