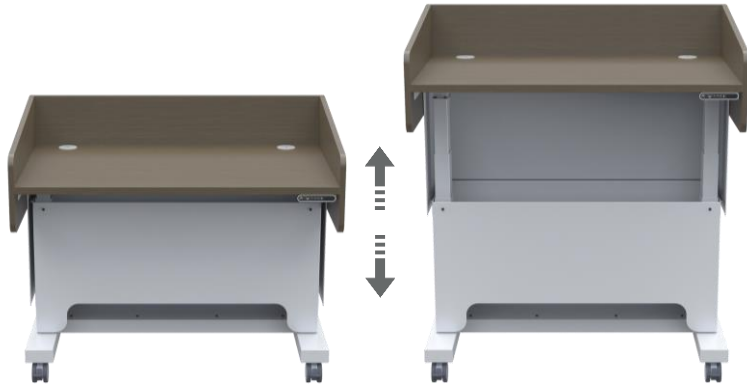


PDYZ38 Height Adjustable Podium



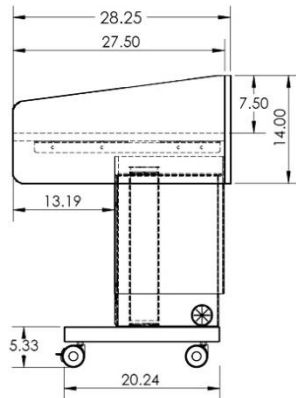
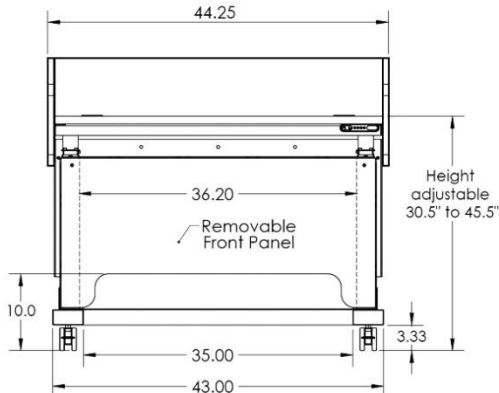
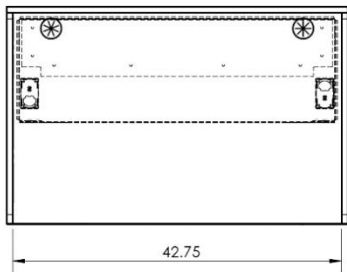
Height Adjustable



ADA Compliant



PDYZ38 shown with RKYZ21 Rack (Sold Separately)



The **PDYZ38** is a height adjustable podium that will serve the needs of any user, regardless of their height. Ideal for environments where adjustable height or ADA is required.

Standard Features

- Wheelchair accessible
- Suitable for a tall or short person (seated or standing position)
- Silent lift mechanism raises the work surface from 31.5" to 46" with memory control switch to accommodate any user, regardless of their height
- Large surface to support monitors, laptops and room control systems, having a weight limit of 400 lbs
- Top made with laminate (many finishes to choose from) & body is grey metal
- Optional rack units RKYZ12 (12U) or RKYZ21 (21U) can be placed on the right or the left side of the podium for rack storage. Grommets provided on all units so cables can pass through a wire loom

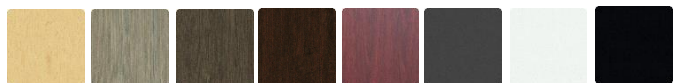
Options

- RKYZ12 12U Mobile rack
- RKYZ21 21U Mobile rack
- PLM1022 10" - 24" Monitor mount
- C900S 15" - 24" Adjustable monitor arm
- C900D Dual Adjustable monitor arm
- FM3 Count down timer/ clock
- MIC-18 MX418 S/C Shure Gooseneck microphone
- LIGHT-18 Littlite Gooseneck
- PB Six outlet power bar with 10 ft. cord
- PC-PATCH 2x 110AC, RJ45, Phone, 2x USB
- SF-PB3 Surface mounted 3-outlet 120V power bar
- CUB3 Round cable well
- CUB4 Black-B/Silver-S Power Panel
- CUB5 Round cable well (Black or Silver)
- CUB8 Tabletop cable well
- CHGQIW/B Wireless charging station white or black. Only on flat cutout
- CHGQI-DNGL Dongle Lightning, USB Type-C, Micro-USB. Requires CHGQIW/B
- ONLYZ13 13" Console
- ONLYZ26 26" Console
- CUSTOM CUTOUT Cutouts for electronics or other items specified by the customer

Specifications

Model: PDYZ38
Width: 44"
Depth: 30"
Adjustable Height: 31.5" - 46"

Finishes



The information contained in this drawing is the sole property of Audio Visual Furniture International. Any reproduction in part or as a whole without the written permission of Audio Visual Furniture International is prohibited. We can build or modify stock configurations to suit customer specifications. Please contact us to discuss how this service can help meet your needs. Some quantity restrictions may apply. Specification subject to change without notice. Computers, cameras, monitors, etc. are shown to illustrate product usage and are not included unless otherwise noted.