



The instructor podium **IPVP7** features a large work surface with built-in power grommet. The unit comes with a side pull-out lockable shelf and keyboard tray with side sliding mouse tray. Two lockable dark acrylic doors and interior space for two optional drop in racks of 12U each (sold separately - see options)

Standard Features

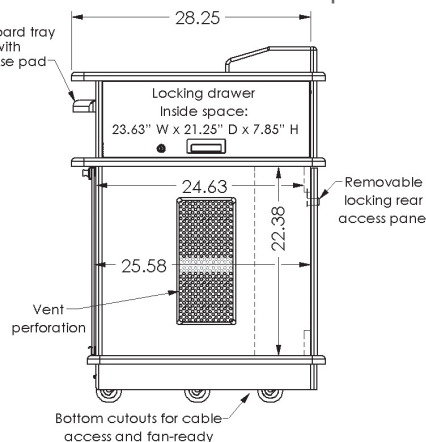
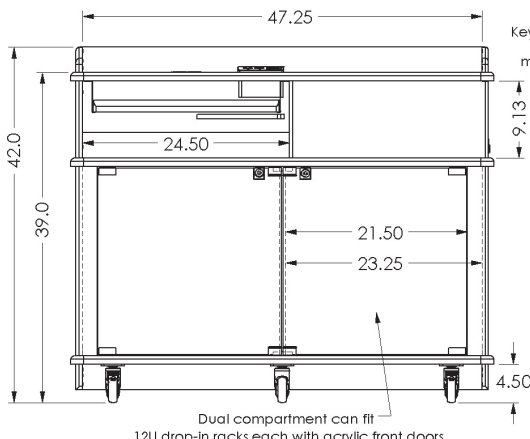
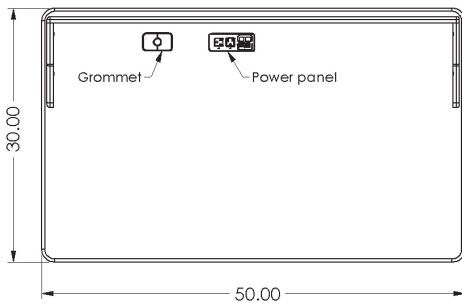
- Locking side drawer
- Locking acrylic front bay doors and removable rear access panel
- One powered PC-PATCH and a rectangular grommet
- Pullout keyboard tray with mouse pad
- Back top panel at 3" above work surface for privacy (same finish as body)
- 5x heavy duty casters (2 locking)
- Ventilation on sides and bottom with fan accommodation
- Two large bays can fit a 12U drop in rack each (See Options)
- Thermowrapped podium with choice of finishes



Back panel removed

Options

- **C900S** 15" - 24" Adjustable monitor arm
- **C900D** Adjustable dual monitor arm
- **PLM1022** 10" - 24" Monitor mount
- **MM1232** 12" - 32" Monitor mount
- **MCB1925** 19" - 25" Monitor/camera bracket
- **FM3** Count down timer/ clock
- **MIC-18** MX418 S/C Shure Gooseneck microphone
- **LIGHT-18** Littlite Gooseneck
- **FAN** Quiet cooling fan
- **PB** Six outlet power bar with 10 ft. cord
- **CUB4** Black-B/Silver-S Power Panel
- **CUB5** Round cable well (Black or Silver)
- **CUB8** Table top cable well
- **CHGQIW/B** Wireless charging station white or black
- **CHGQI-DNGL** Dongle Lightning, USB Type-C, Micro-USB. Requires CHGQIW/B
- **DIR9200-10** 10U rack module (Up to 2)
- **DIR9200-12** 12U rack module (Up to 2)
- **9031/9041/9052** Metal shelves/drawer (check website)
- **9107** Lacing bar (19" long)
- **LEV4AX5** 5x Levelers for non-mobile applications
- **CUSTOM CUTOUT** Cutouts for electronics or other items specified by the customer



Specifications

Model: IPVP7
Width: 50"
Depth: 30"
Height: 42"

Finishes



Other finishes are available. Check website.

The information contained in this drawing is the sole property of Audio Visual Furniture International. Any reproduction in part or as a whole without the written permission of Audio Visual Furniture International is prohibited. AVFI can build or modify stock configurations to suit customer specifications. Please contact us to discuss how this service can help meet your needs. Some quantity restrictions may apply. Specification subject to change without notice. Computers, cameras, monitors, etc. are shown to illustrate product usage and are not included unless otherwise noted.