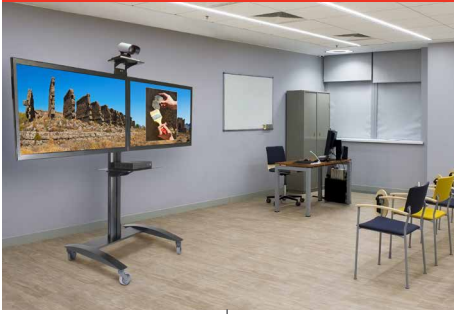


SR555M



Mounting Pattern
200 x 200 up to
400 x 400mm



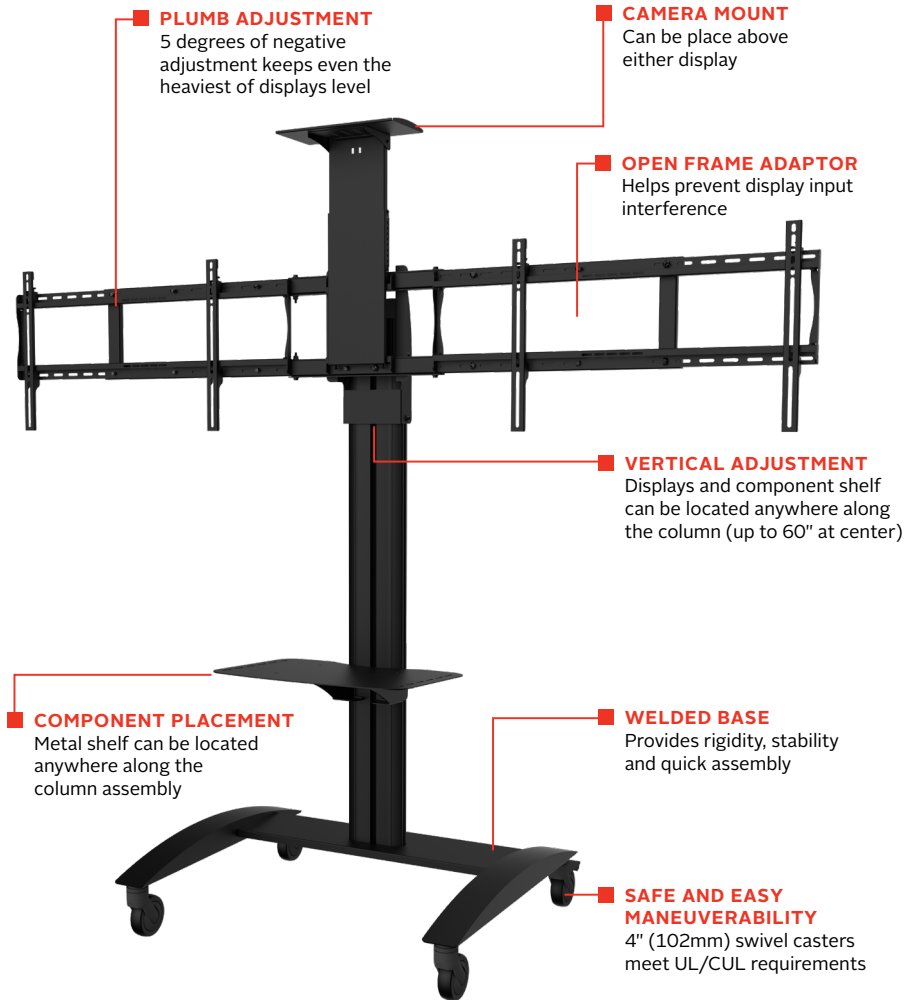
Max Load
75lb (34kg)
per display

SMARTMOUNT® Flat Panel Video Conferencing Cart

FOR TWO 40" TO 65" DISPLAYS

The SR555M SmartMount® Flat Panel Video Conferencing Cart has been designed to include all of the features you may need, making it perfect for any location. The mobility of the cart eliminates the need for multiple video conference systems, lowering your overall system cost. The structure is optimized to hold two 40"-65" displays, providing clear visibility for all participants. The camera locates anywhere above either display, for near perfect eye contact during your meetings. Additionally, the integrated cable management contains and conceals unsightly cables, helping you complete a clean and professional installation.

- Integrated cable management protects, contains and conceals cables for a clean, professional installation
- Textured black powder coat finish helps to hide finger prints and dust
- Shelf can be positioned anywhere along the column by simply lifting and repositioning
- Universal mount fits displays with mounting patterns from 200 x 200mm up to 400 x 400mm



✉ info@peerless-av.com
🌐 peerless-av.com

peerless-AV®
Driving Technology Through Innovation

SR555M	SmartMount® Flat Panel Video Conferencing Cart for 40" to 65" Displays
--------	--

Product Specifications

	DIMENSIONS (W X H X D)	PRODUCT WEIGHT	LOAD CAPACITY	FINISH	AVAILABLE COLORS
SR555M	83.75" x 75.41" x 29.00" (2127 x 1915 x 737mm)	90lb (40.9kg)	75lb (34kg) per display	Textured Powder Coat	Black

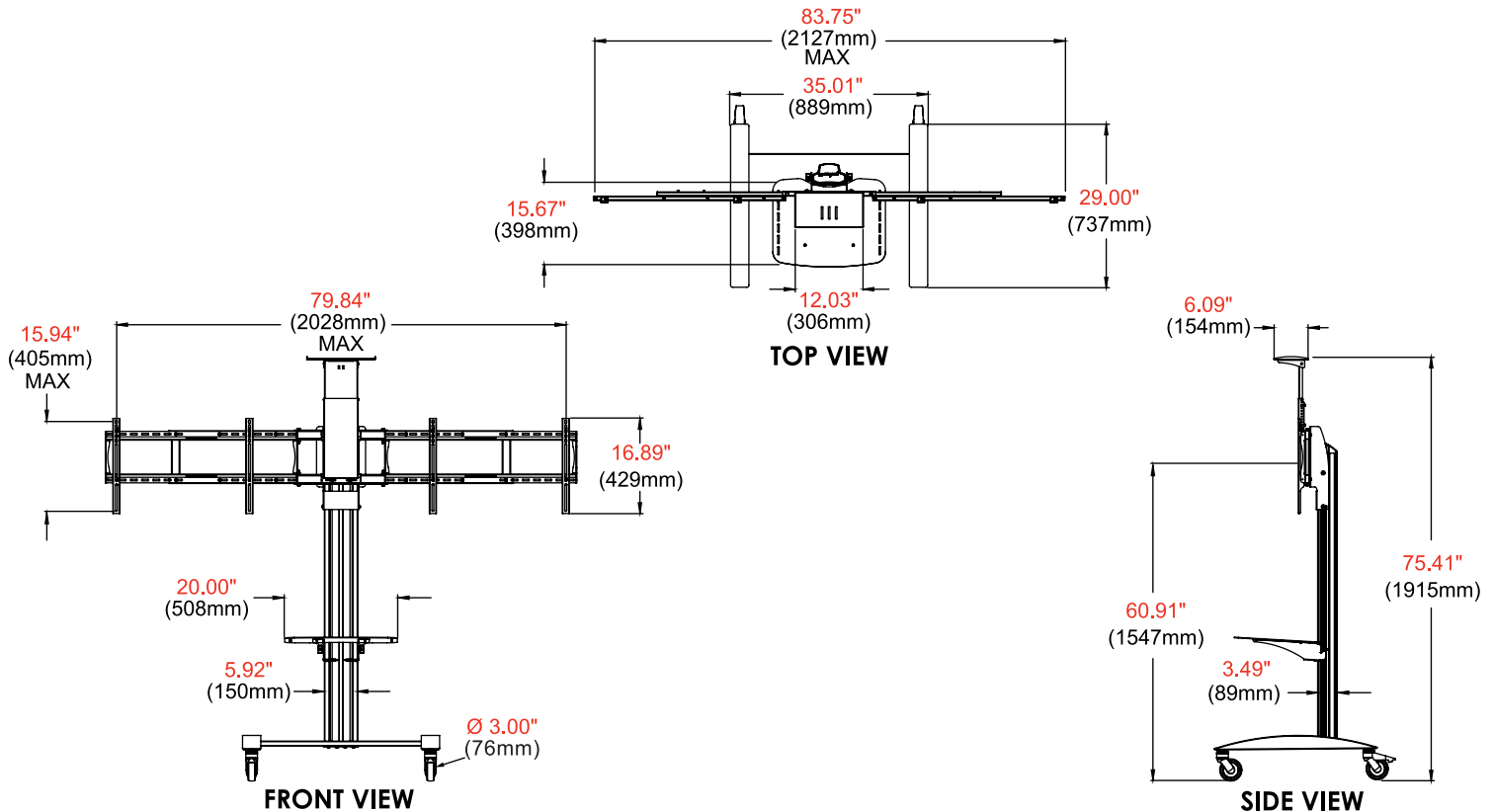
Package Specifications

	PACKAGE SIZE (W x H x D)	PACKAGE SHIP WEIGHT	PACKAGE UPC CODE	PACKAGE CONTENTS	UNITS IN PACKAGE
SR555M	47.50" x 7.25" x 38.50" (1207 x 184 x 978mm)	98lb (44.5kg)	735029305057	Assembled Base, Aluminum Column, Dual Screen Universal Display Adaptor, Metal Component Shelf, Camera Shelf, (2) Swivel Casters, (2) Locking Swivel Casters, Hardware & Instructions	1

Accessories

- | | |
|---|---|
| ACC310: Feet Accessory | ACC-BPR: Bumper Accessory for Legs |
| ACC316: Safety Belt | ACC-LA: Laptop Arm |
| ACC320: Electrical Outlet Strip with Cord Wrap | ACC-MS: Metal Shelf |

All dimensions = inch (mm)



Architect Specifications

The SmartMount® Flat Panel Video Conferencing Cart shall be a Peerless-AV model SR555M and shall be located where indicated on the plans. Assembly and installation shall be done according to instructions provided by the manufacturer.

Visit peerless-av.com to see the complete line of AV solutions from Peerless-AV, including outdoor displays, kiosks, digital audio, display mounts, projector mounts, carts/stands, and a full assortment of accessories.

Peerless-AV
 2300 White Oak Circle
 Aurora, IL 60502 USA
(800) 865-2112
(630) 375-5100
Fax: (800) 359-6500

Peerless-AV EMEA
 Unit 3 Watford Interchange
 Colonial Way, Watford
 Herts, WD24 4WP
 United Kingdom
+44 (0) 1923 200100
Fax: +44 (0) 1923 200101

Peerless-AV Latin America
 Av. de las Industrias 413
 Parque Industrial Escobedo
 General Escobedo, N.L.,
 México, 66062
+52 (81) 8384-8300
Fax: +52 (81) 8384-8360

