

T324 T1 Huddle Room/Collaboration Table



The **T324 T1** package consists of table **T324** + 1X **TP800** fixed base monitor stand (Choice of single, dual or XL). Designed primarily for huddle spaces, the **T324** table brings a high-tech solution to small collaboration rooms.

Standard Features

T324 Table

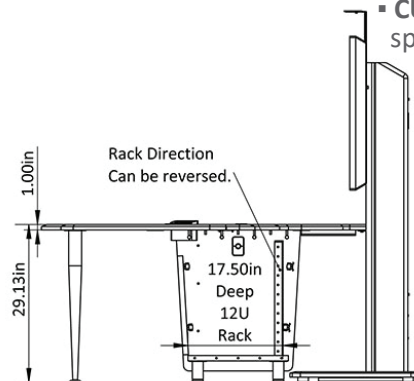
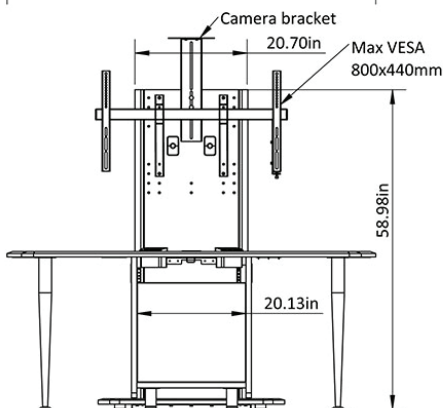
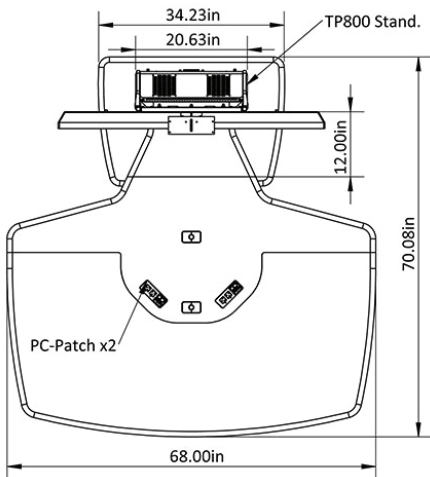
- Seats 3 to 4 people
- Cable management tray and grommets
- Built in equipment rack for codec or PC, 10U with easy access
- 2x PC-PATCH panels with 110AC outlets and USB pass throughs
- 2 bridges offered for different camera distance requirements (12" standard and 36" for VC)
- Highly resistant thermowrap surface in many colors

TP800-S (Single), TP800-D (Dual) or TP800-XL (Single XL)

- Fixed base monitor stand for single 40" - 70", dual 42" - 70" & single XL 65" - 90" TV's
- Camera mount, 3U mounted codec basket, electronics shelf and a 6 outlet power bar with 10 ft. cord mounted inside
- Cooling fan built-in

Options

- **411 Extension** Accommodates 4 additional people
- **PLM1022** 10" - 24" LCD monitor mount
- **TVCB** Camera bracket for freestanding or wall mount TV's
- **CS** Wall mount camera or codec shelf
- **CBB-TV** Under TV camera bracket (26" - 80" TV's)
- **PM2-ARM** Side mounting camera bracket
- **PB** Six outlet power bar with 10 ft. cord
- **CUB3** Round cable well
- **CUB4** Black-B/Silver-S Power Panel
- **CUB5** Round cable well
- **CUB8** Table top cable well
- **PC-PATCH** 2x 110AC, RJ45, Phone, 2x USB
- **SF-PB3** Surface mounted 3-outlet 120V power bar
- **CHGQIW/B** Wireless charging station white or black
- **CHGQI-DNGL** Dongle Lightning, USB Type-C, Micro-USB. Requires CHGQIW/B
- **9031** Vented metal shelf
- **9041** Sliding shelf
- **9052** Sliding drawer
- **GRC60** 60mm Round grommet. Black-B, white-W & grey-G
- **CUSTOM CUTOUT** Cutouts for electronics or other items specified by the customer



Specifications

Model: T324 T1
Width: 68"
Depth: 70"
Height: 29-1/8"

Finishes



The information contained in this drawing is the sole property of Audio Visual Furniture International. Any reproduction in part or as a whole without the written permission of Audio Visual Furniture International is prohibited. AVFI can build or modify stock configurations to suit customer specifications. Please contact us to discuss how this service can help meet your needs. Some quantity restrictions may apply. Specification subject to change without notice. Computers, cameras, monitors, etc. are shown to illustrate product usage and are not included unless otherwise noted.