

XL Fixed Height, Mobile Stand

DESIGNED FOR WEBEX® BOARD PRO 75

FPS1XL/FH/CSP75



Take control of creative, presentation and collaboration work spaces. Salamander's beautiful and highly functional FPS Series Mobile Stands offer superior ergonomics complimenting any touch display with improved productivity, unrivaled flexibility and lifetime value.

A stylish, sleek and compact design moves easily between spaces. A thoughtful range of accessories provides even more utility and an improved user experience.

- Mobile stand for interactive display / touchscreen panel
- Compatible with most large displays including 98" Screens, see VESA pattern and weight limits.
- Ergonomic design. Adjustable height positioning (during set-up) provides best possible ergonomics and viewing
- ADA compliant design
- Superior mobility. High quality commercial grade locking casters and integrated handles provide easy maneuverability and transport
- Fully concealed cable management allows clean, secure and uncluttered installation
- Range of travel, Center of screen : Min- 47.3" (1203mm) and Max 57.8" (1470mm)
- Internal storage for rack mounted electronic components (2RU), peripherals and accessories
- Durable construction. Made in USA of powder coated steel
- Options available for peripheral equipment mounting, retractable cable reel, keyboard tray and more
- Limited Lifetime Warranty

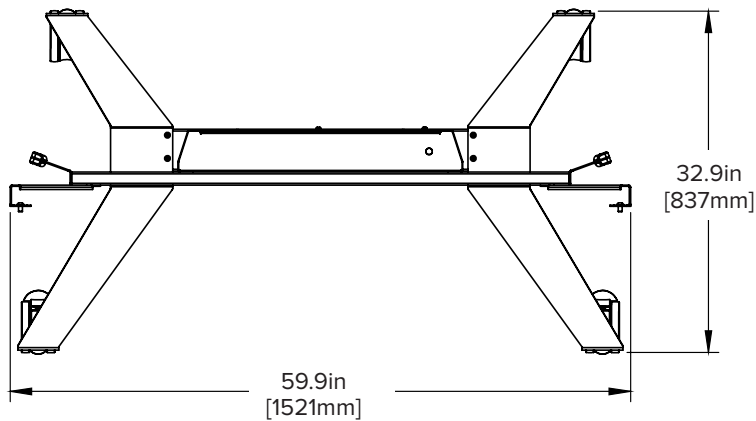
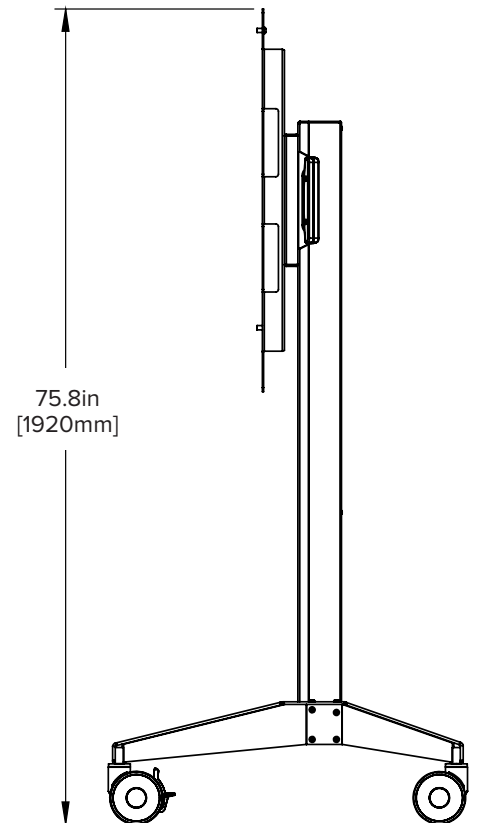
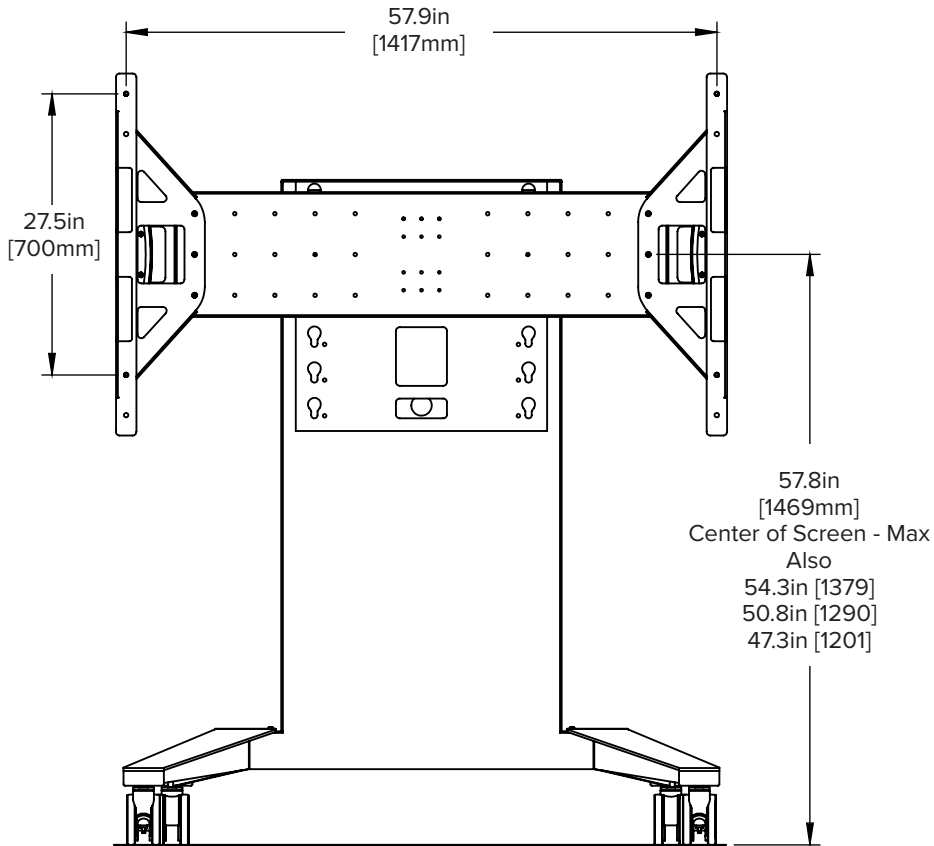


ADA Compliant

XL Fixed Height, Mobile Stand

DESIGNED FOR WEBEX® BOARD PRO 75

FPS1XL/FH/CSP75



XL Fixed Height, Mobile Stand

DESIGNED FOR WEBEX® BOARD PRO 75

FPS1XL/FH/CSP75

PRODUCT SPECIFICATIONS	Metric (mm)	US/Imperial Inches	SHIPPING DIMENSIONS	
Length	1484	58.4	1,575 mm	62 inch
Overall Height Range	1656 - 1781	65.1 - 70.1	914 mm	36 inch
Center of Screen Range of Travel	935 - 1585	36.8 - 62.4		
Depth	695	27.3	406 mm	16 inch
Weight	91 kg	200 lbs	91 kg	200 lbs
Max Load Capacity	181 kg	400 lbs		

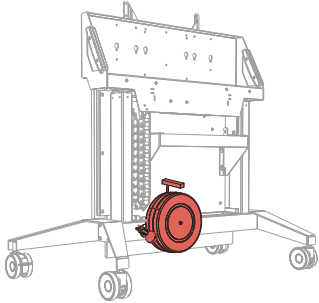
Caster Wheels

4" (100mm) HD, Non Marking, Brakes on 2

XL Fixed Height, Mobile Stand

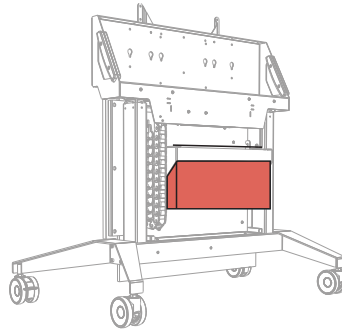
DESIGNED FOR WEBEX® BOARD PRO 75

FPS1XL/FH/CSP75

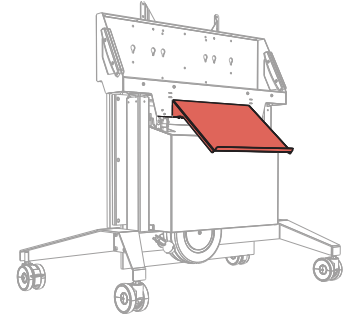


Cable Reel 30' Payout, 24"
Tri-Tap Female End
FPSA/CR

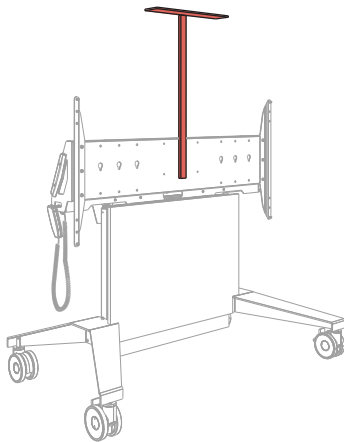
Retractable CAT6 Cable Reel
FPSA/CR/CAT6



Power Distribution Unit
SA/RM/PDU

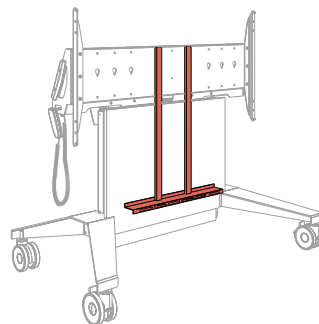


Keyboard Storage Shelf- Graphite
FPSA/KS/GT



Tech Shelf
FPSA/CS

Various shelf sizes and post lengths available. See online.



Tech Bracket Kit
FPSA/SBK

Various shelf sizes and post lengths available. See online.