

Electric Wall Stand

DESIGNED FOR WEBEX® BOARD PRO 55

FPS2WXL/EL/CSP55



Webex Board Pro 55 Electric Wall Stand
Graphite - FPS2WXL/EL/CSP55/GG



Webex Board Pro 55 Electric Wall Stand
White - FPS2WXL/EL/CSP55/GG/VW

Take control of creative, presentation and collaboration work spaces. Salamander's beautiful and highly functional FPS Series Stands offer superior ergonomics complimenting any touch screen display with improved productivity, unrivaled flexibility and lifetime value.

Electric lift, wall stand features an accessible, compact, low profile design that conceals all equipment and cabling.

- Wall stand for interactive display / touchscreen panel
- Motorized electric lift and wired remote control
- Compatible with most large displays including 86" Screens and Webex® Board Pro Electric Wall Stand, see VESA pattern and weight limits.
- Ergonomic design. Adjustable height positioning provides best possible ergonomics and viewing.
- Fully concealed cable management allows clean and uncluttered installation
- Range of travel, Center of screen: Min - 34" (863mm) and Max 59.6" (1513mm)
- Interior equipment mounting area for electronic components, peripherals and accessories.
- Adjustable component mounting brackets & velcro straps
- Durable construction. Made in USA of powder coated steel, Linak Motor components, Powder coated and/or veneered MDF panels
- Limited lifetime warranty

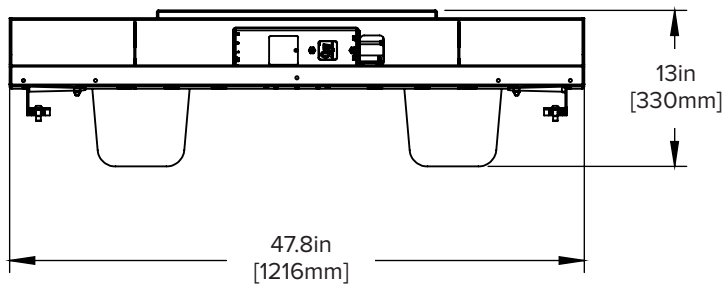
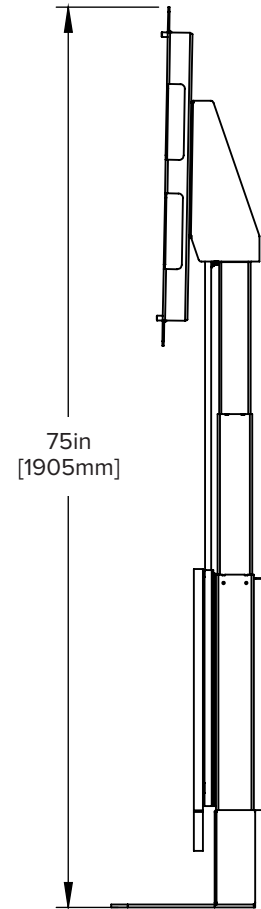
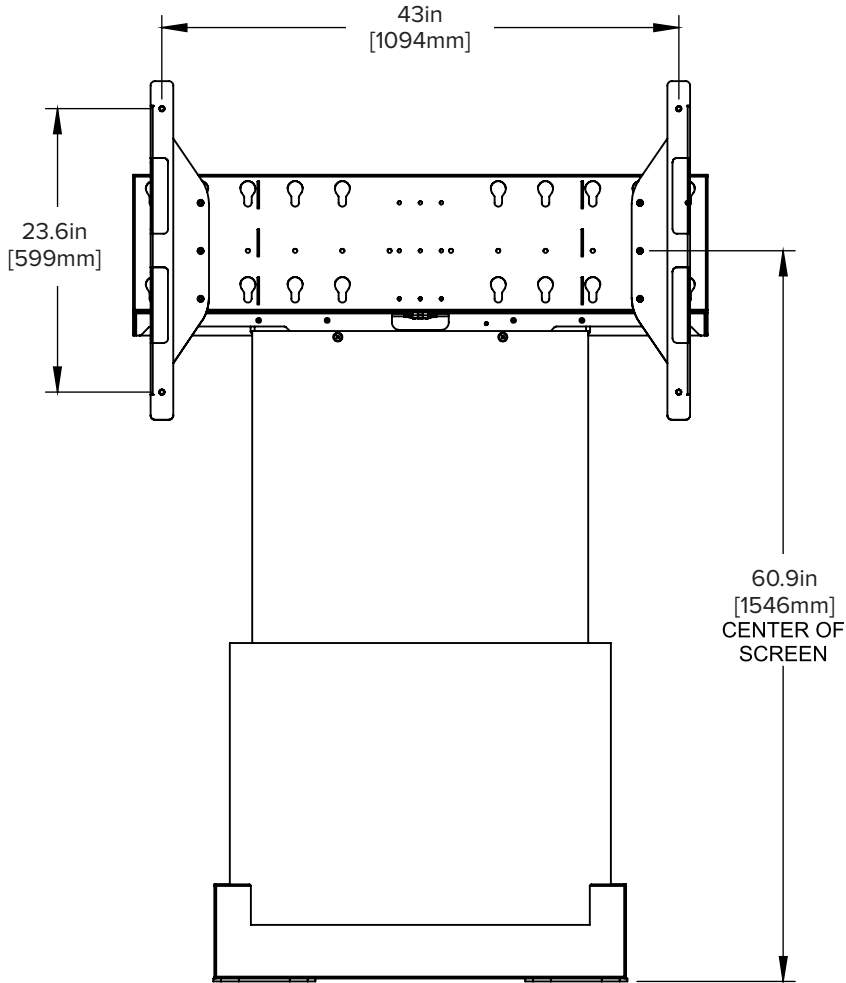


ADA Compliant

Electric Wall Stand

DESIGNED FOR WEBEX® BOARD PRO 55

FPS2WXL/EL/CSP55



Electric Wall Stand

DESIGNED FOR WEBEX® BOARD PRO 55

FPS2WXL/EL/CSP55

PRODUCT SPECIFICATIONS	Metric (mm)	US/Imperial Inches	SHIPPING DIMENSIONS	
Length	871	34.3	1,213 mm	47.7 inch
Overall Height Range	1128 - 1778	44.4 - 70	997 mm	39.2 inch
Center of Screen Range of Travel	863 - 1513	34 - 59.6		
Depth	204	8	197 mm	7.7 inch
Weight	52. kg	115 lbs	59 kg	130 lbs
Max Load Capacity	79 kg	175 lbs		

Wall Fastening

Fasteners not included, select based on type of wall. Be sure wall structure is sufficient to handle load. Accommodates 5/16 inch (8 mm) fasteners.

Electrical Information

Input: 90V - 240V ~, 48 Hz - 63HZ
Duty Cycle: 10% Max 2min / 18min
5 amp max

Cable Manager

Expandable Wire Loom: 1" Diameter (25mm) x 29" (1m)

Power Cable

IEC - Type Class 2, 2-prong
USA Included: (PN 400-590)

Available:
EU (PN 400-591)
UK (PN 400-592)