

Electric Lift, Mobile Stand

DESIGNED FOR WEBEX® BOARD PRO 75

FPS1/EL/CSP75



Webex Board Pro 75 Electric Lift – Graphite



Webex Board Pro 75 Electric Lift – White

Take control of creative, presentation and collaboration work spaces. Salamander's beautiful and highly functional FPS Series Mobile Stands offer superior ergonomics complimenting any touch display with improved productivity, unrivaled flexibility and lifetime value.

A stylish, sleek and compact design moves easily between spaces. A thoughtful range of accessories provides even more utility and an improved user experience.

- Mobile stand for interactive display / touchscreen panel
- Motorized Electric Lift and wired remote control
- Compatible with most large displays including 98" Screens, see VESA pattern and weight limits.
- Ergonomic design. Adjustable height positioning provides best possible ergonomics and viewing.
- Superior mobility. High quality, commercial grade locking casters and integrated handles provide easy maneuverability and transport
- Fully concealed cable management allows clean and uncluttered installation
- Range of travel, Center of screen: Min - 38.1" (969mm) and Max - 63.7" (1619mm)
- Storage for electronic components, peripherals and accessories.
- Telescopic design allows compact position for transport and storage
- Durable construction. Made in USA of powder coated steel, Linak Motor components, Powder coated and/or veneered MDF panels
- Options available for peripheral equipment mounting, retractable cable reel, secure equipment storage cover, keyboard tray and more.
- Limited Lifetime Warranty

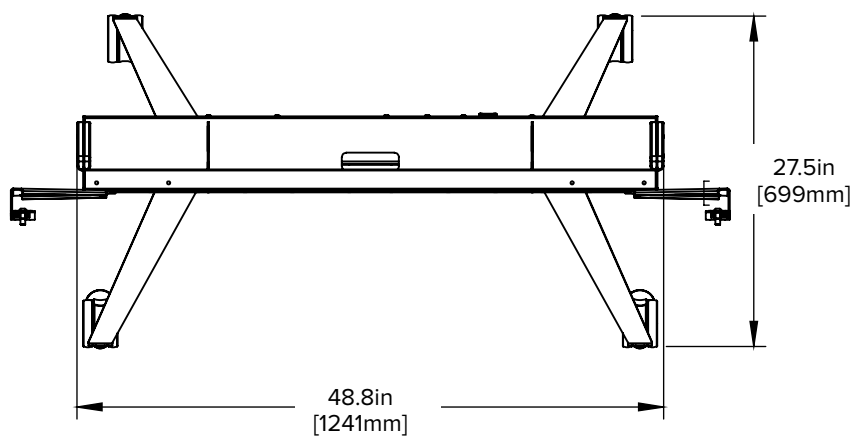
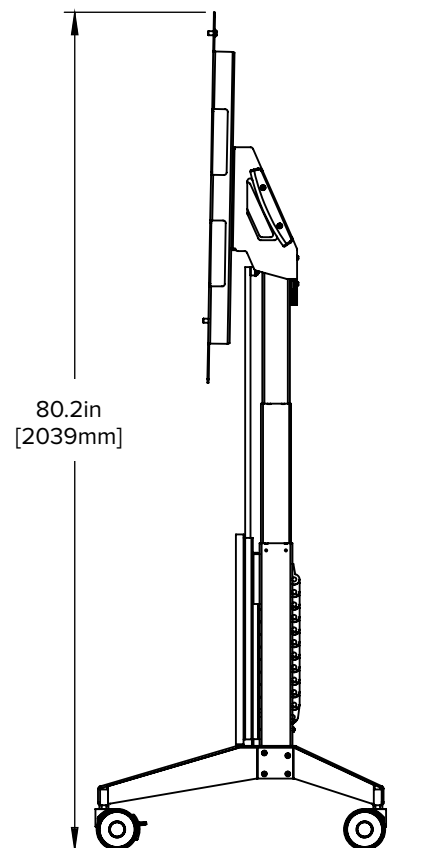
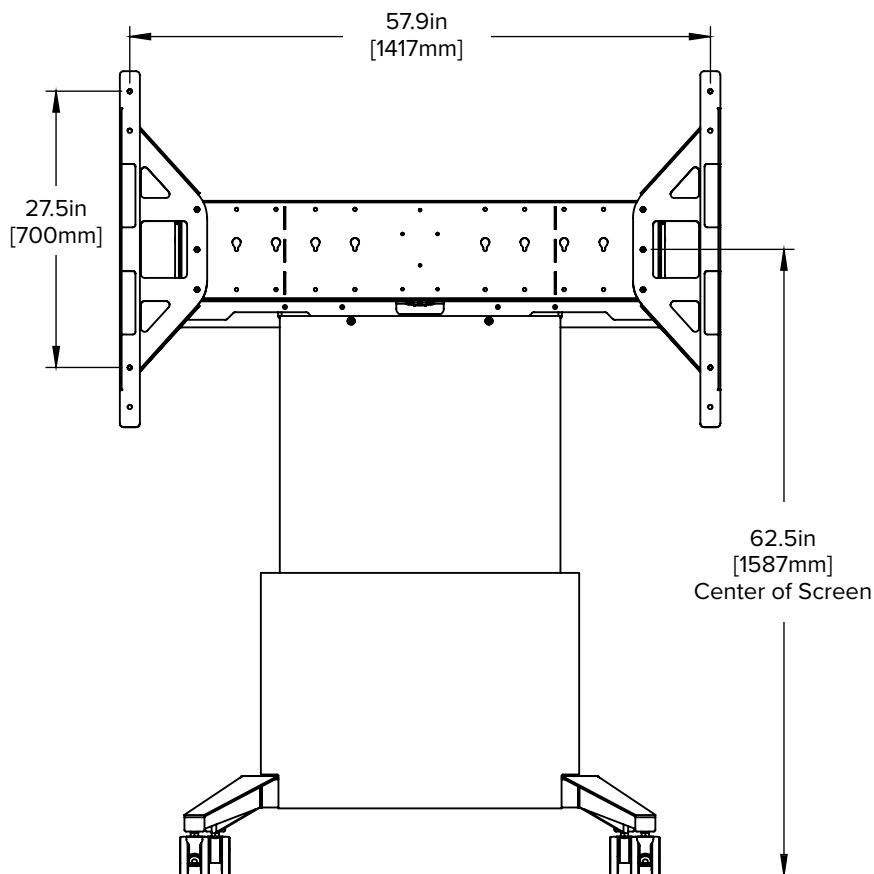


ADA Compliant

Electric Lift, Mobile Stand

DESIGNED FOR WEBEX® BOARD PRO 75

FPS1/EL/CSP75



Electric Lift, Mobile Stand

DESIGNED FOR WEBEX® BOARD PRO 75

FPS1/EL/CSP75

| PRODUCT SPECIFICATIONS | Metric (mm) | US/Imperial Inches | SHIPPING DIMENSIONS | |
|----------------------------------|---------------|--------------------|---------------------|-----------|
| | Length | 1484 | 58.4 | 1575 mm |
| Overall Height Range | 1280 - 1930 | 50.4 - 76 | 1048 mm | 41.2 inch |
| Center of Screen Range of Travel | 969 - 1619 | 38.1 - 63.7 | | |
| Depth | 825 | 32.5 | 368 mm | 14.5 inch |
| Weight | 74 kg | 165 lbs | 86 kg | 190 lbs |
| Max Load Capacity | 136 kg | 300 lbs | | |

Caster Wheels

5" (125mm) HD, Non Marking, Brakes on 2

Electrical Information

Input: 90V - 240V ~, 48 Hz - 63HZ
 Duty Cycle: 10% Max 2min / 18min
 5 amps max

Cable Manager Chain

1" x .75" x 34" (25 x 19 x 865mm)

Power Cable

IEC - Type Class 2, 2-prong
 USA Included: (PN 400-590)

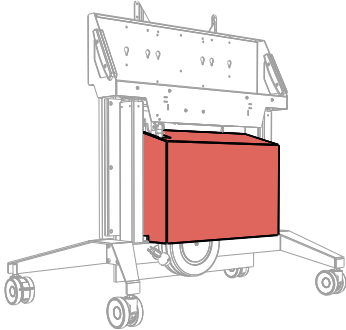
International Power Cables Available:

EU (PN 400-591)
 UK (PN 400-592)
 New Zealand, Australia and others (PN 400-593)

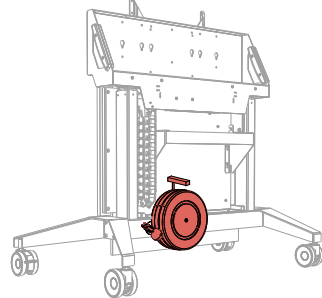
Electric Lift, Mobile Stand

DESIGNED FOR WEBEX® BOARD PRO 75

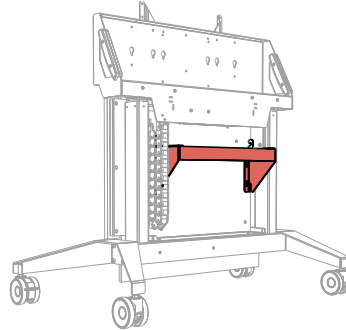
FPS1/EL/CSP75



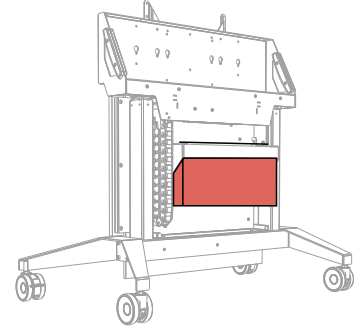
**Equipment Storage
Cover- Graphite**
FPSA/SC/GT



Cable Reel 30' Payout, 24" Tri-Tap Female End
FPSA/CR

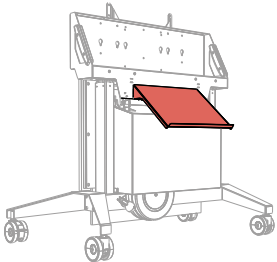


19" Rack Mounting 3RU & 5RU
RM/VR/3U
RM/VR/5U

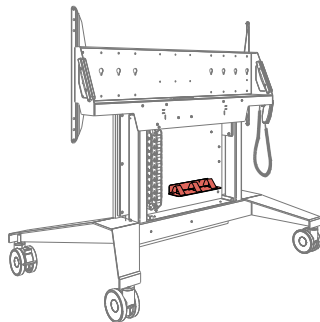


Power Distribution Unit
SA/RM/PDU

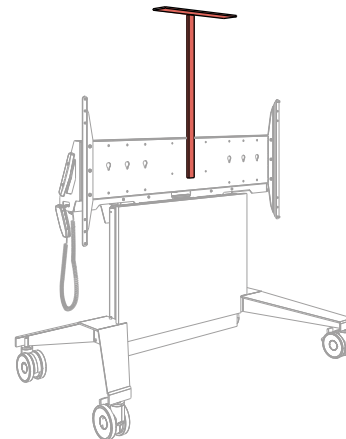
Retractable CAT6 Cable Reel
FPSA/CR/CAT6



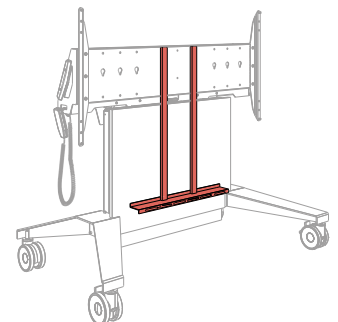
Keyboard Storage Shelf- Graphite
FPSA/KS/GT



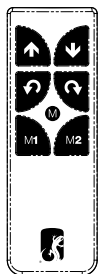
Accessory Shelf with Straps
FPSA/AS1



Tech Shelf
FPSA/CS
Various shelf sizes and post lengths available. See online.



Tech Bracket Kit
FPSA/SBK
Various shelf sizes and post lengths available. See online.



Wireless RF Remote Control with Memory
FPSA/RF1

ROAD CASE

FOR EASY DEPLOYMENT

Combine a mobile stand with a road case to provide secure and convenient transport of your display.

Accommodates Stand & Display

FPSA/RC/EL

