

# Electric Lift, Mobile Stand

DESIGNED FOR WEBEX® BOARD PRO 55

FPS1/EL/CSP55



**Webex Board Pro 55 Electric Lift, Mobile Stand**  
Graphite - FPS1/EL/CSP55/GG



**Webex Board Pro 55 Electric Lift, Mobile Stand**  
White - FPS1/EL/CSP55/GG/VW

Take control of creative, presentation and collaboration work spaces. Salamander's beautiful and highly functional FPS Series Mobile Stands offer superior ergonomics complimenting any touch screen display with improved productivity, unrivaled flexibility and lifetime value.

A stylish, sleek and compact design moves easily between spaces. A thoughtful range of accessories provides even more utility and an improved user experience.

- Mobile stand for interactive display / touchscreen panel
- Motorized Electric Lift and wired remote
- ADA Compliant
- Ergonomic design. Adjustable height positioning provides best possible ergonomics and viewing
- Superior mobility. High quality commercial grade locking casters and integrated handles provide easy maneuverability and transport
- Fully concealed cable management allows clean and uncluttered installation
- Range of travel, Center of screen: Min - 36.8" (935mm) and Max - 62.4" (1585mm)
- Storage for electronic components, peripherals and accessories
- Telescopic design allows compact position for transport and storage
- Durable construction. Made in USA of powder coated steel, Linak Motor components, Powder coated and/or veneered MDF panels
- Options available for peripheral equipment mounting, retractable cable reel, secure equipment storage cover, keyboard tray and more
- Limited Lifetime Warranty

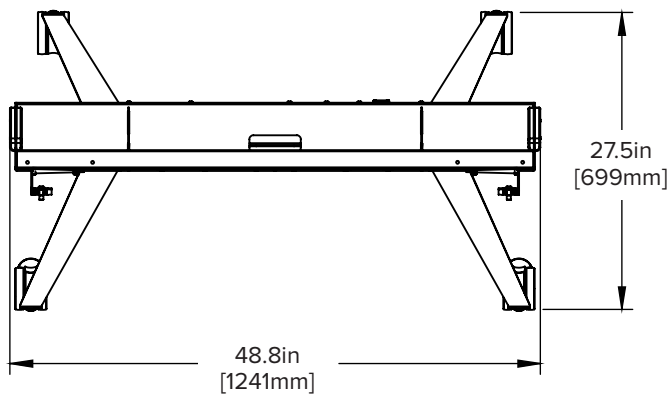
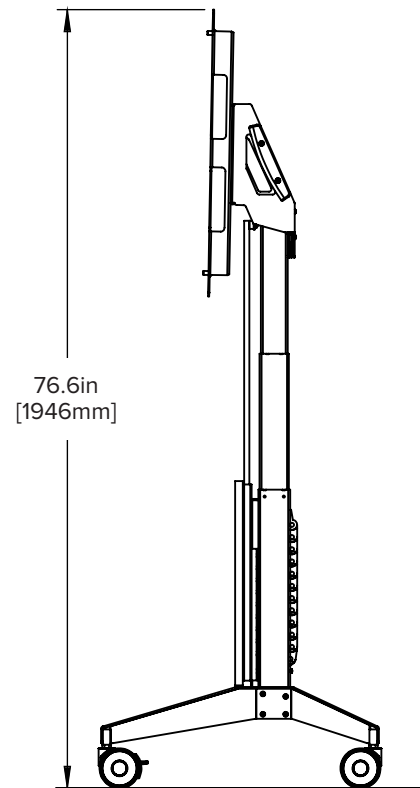
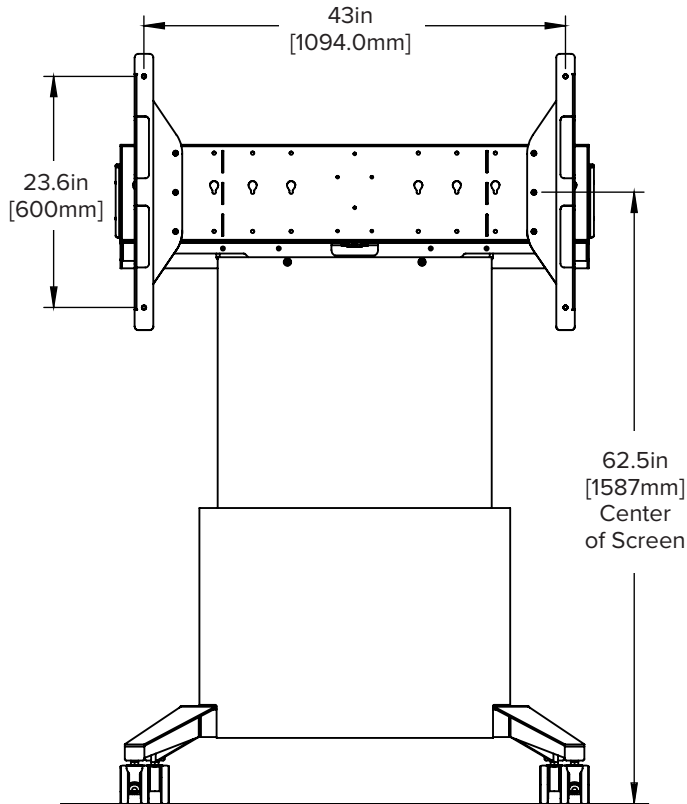


ADA Compliant

# Electric Lift, Mobile Stand

DESIGNED FOR WEBEX® BOARD PRO 55

FPS1/EL/CSP55



# Electric Lift, Mobile Stand

DESIGNED FOR WEBEX® BOARD PRO 55

FPS1/EL/CSP55

PRODUCT SPECIFICATIONS	Metric (mm)	US/Imperial Inches	SHIPPING DIMENSIONS	
	Length	1215	47.8	1,219 mm
Overall Height Range	1146 - 1796	45.1 - 70.7	1,016 mm	40 inch
Center of Screen Range of Travel	935 - 1585	36.8 - 62.4		
Depth	695	27.3	406 mm	16 inch
Weight	61 kg	135 lbs	72 kg	160 lbs
<b>Max Load Capacity</b>	<b>79 kg</b>	<b>175 lbs</b>		

#### Caster Wheels

4" (100mm) HD, Non Marking, Brakes on 2

#### Electrical Information

Input: 90V - 240V ~, 48 Hz - 63HZ  
 Duty Cycle: 10% Max 2min / 18min  
 5 amps max

#### Cable Manager Chain

1" x .75" x 34" (25 x 19 x 865mm)

#### Power Cable

IEC - Type Class 2, 2-prong  
 USA Included: (PN 400-590)

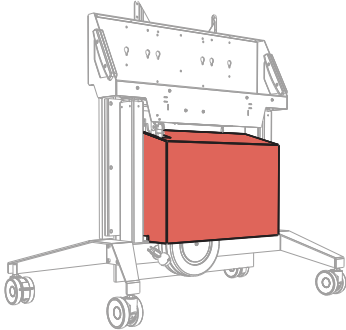
#### International Power Cables Available:

EU (PN 400-591)  
 UK (PN 400-592)  
 New Zealand, Australia and others (PN 400-593)

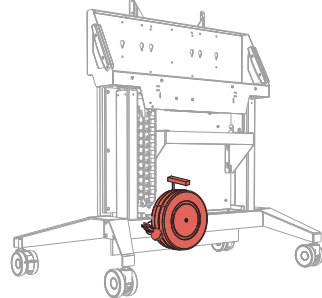
# Electric Lift, Mobile Stand

DESIGNED FOR WEBEX® BOARD PRO 55

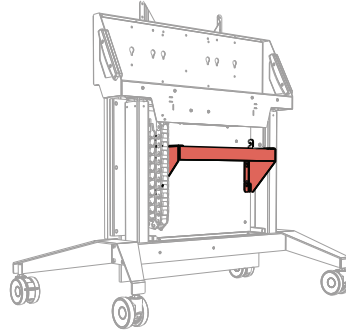
## ACCESSORIES



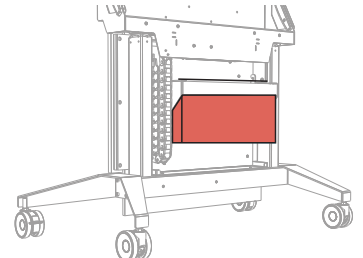
**Equipment Storage  
Cover- Graphite**  
FPSA/SC/GT



**Cable Reel 30' Payout, 24" Tri-Tap Female End**  
FPSA/CR

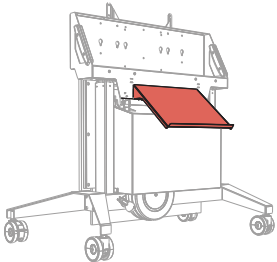


**19" Rack Mounting 3RU & 5RU**  
RM/VR/3U  
RM/VR/5U

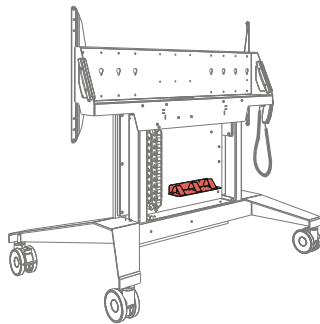


**Power Distribution Unit**  
SA/RM/PDU

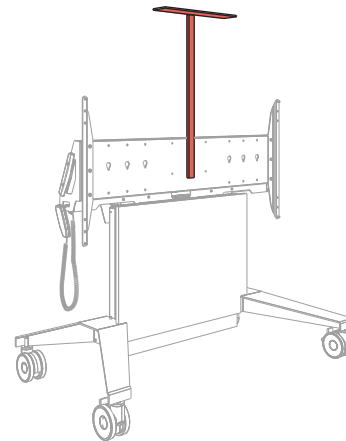
**Retractable CAT6 Cable Reel**  
FPSA/CR/CAT6



**Keyboard Storage Shelf- Graphite**  
FPSA/KS/GT

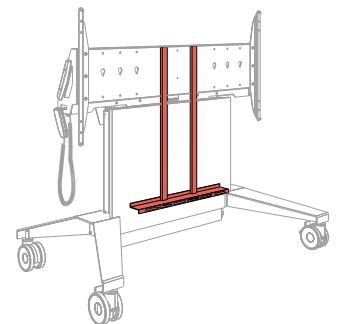


**Accessory Shelf with Straps**  
FPSA/AS1



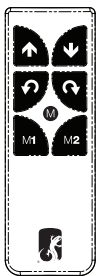
**Tech Shelf**  
FPSA/CS

Various shelf sizes and post lengths available. See online.



**Tech Bracket Kit**  
FPSA/SBK

Various shelf sizes and post lengths available. See online.



**Wireless RF Remote Control with Memory**  
FPSA/RF1

## ROAD CASE

FOR EASY DEPLOYMENT

Combine a mobile stand with a road case to provide secure and convenient transport of your display.

Accommodates Stand & Display

FPSA/RC/EL

